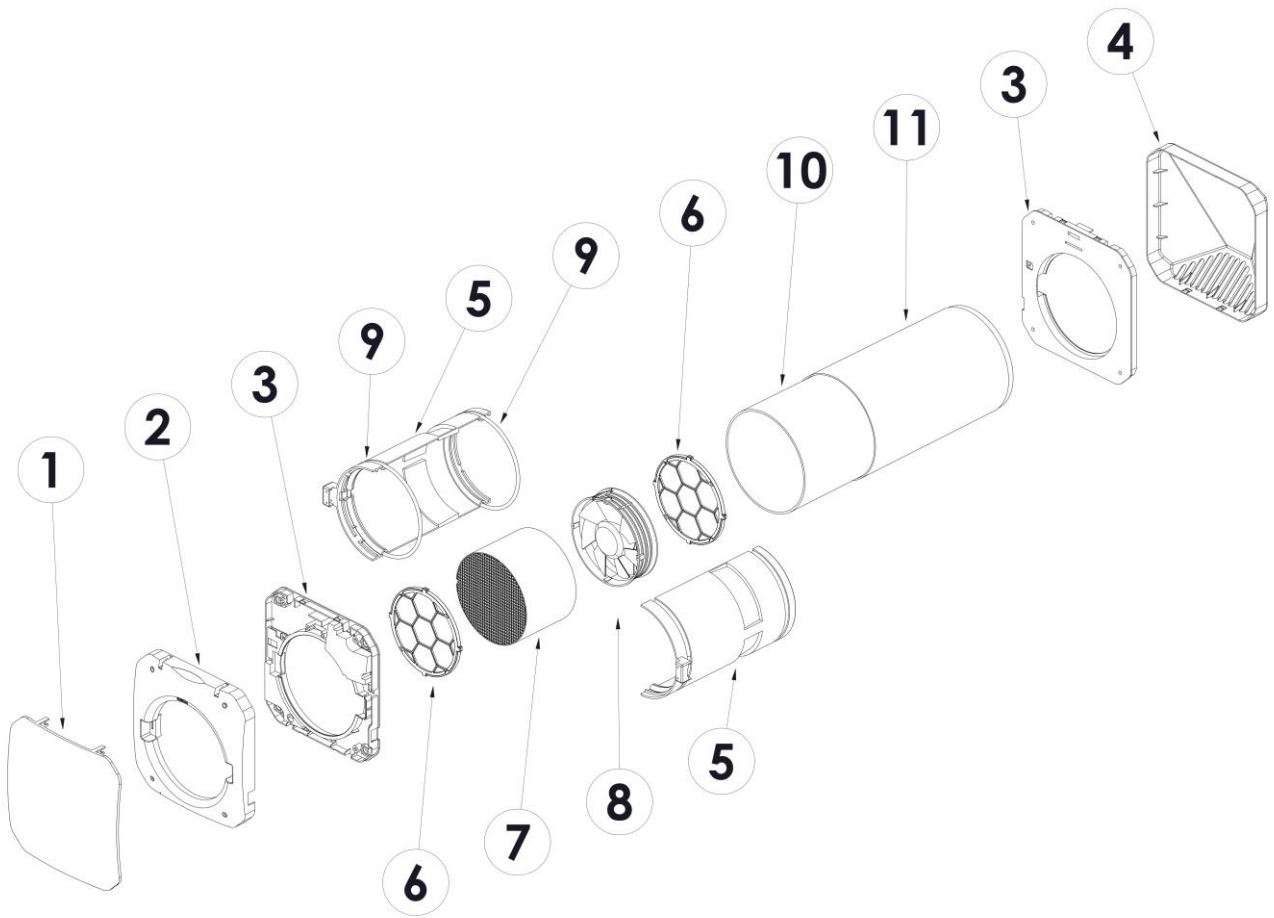


User Manual



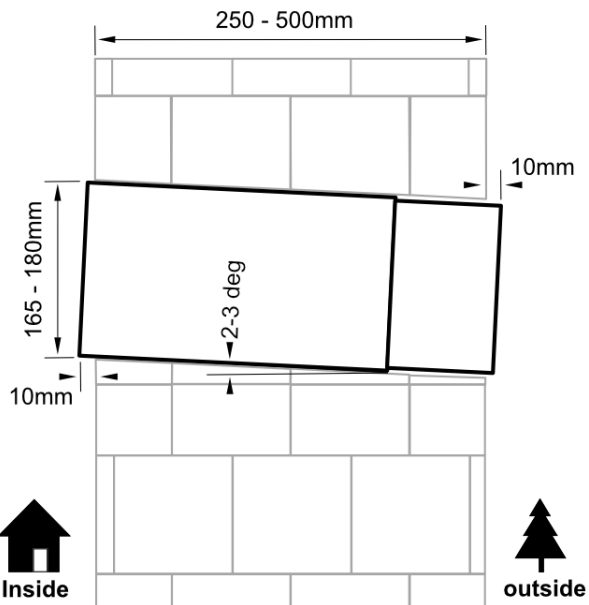
BSK Zephyr V2.0
Decentralized Heat Recovery Device
With APP or Hand Remote Control

Part List



1. Front cover part
2. Inside cover part
3. Wall fixture part
4. Outer hood part
5. Capsule part
6. Filters
7. Ceramic heat exchanger
8. 2-way fan
9. O-ring gaskets
10. Telescopic pipe (inside piece)
11. Telescopic pipe (outside piece)

Wall Montage and Assembly

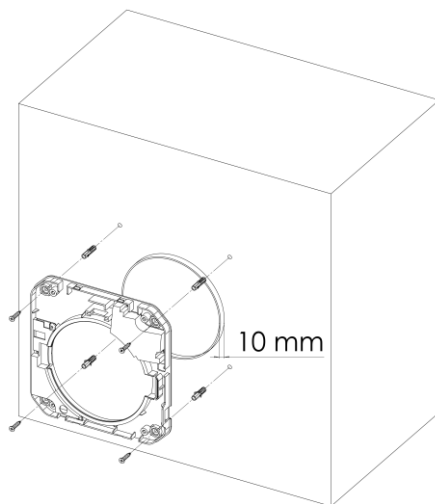


For the installation of BSK Zephyr decentralized heat recovery device, a hole must be drilled on a wall facing the exterior with the dimensions indicated in the figure.

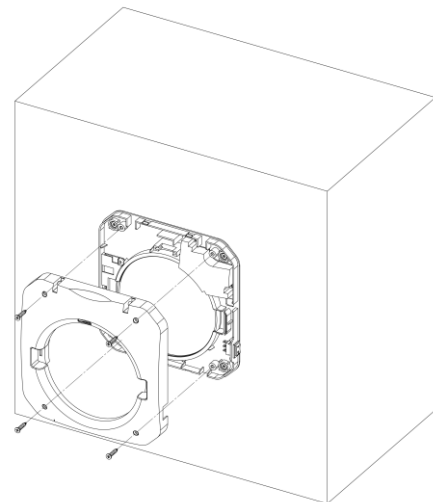
In order for the condensation water to flow outwards, the hole must be drilled with an outward slope of about 2-3 degrees.

After the wall is drilled, the telescopic pipe can be placed inside. Adjust the length of the telescopic pipe so that the ends stick out about 10mm from the wall.

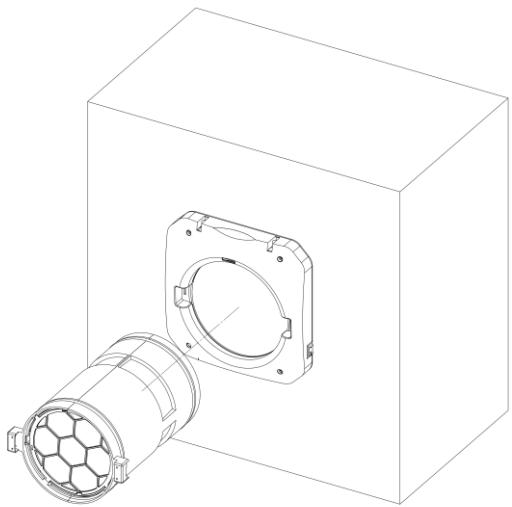
Secure the telescopic pipes using foam or cement to fill the hole around. Make sure that the pipe is stable and does not move after installation.



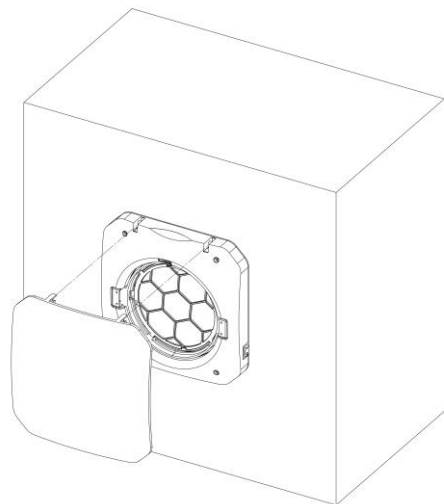
1. Align the inner wall fixture part with the 10mm protrusion of the telescopic pipe part. Drill 4 holes then insert dovels and screw the part on to the wall.



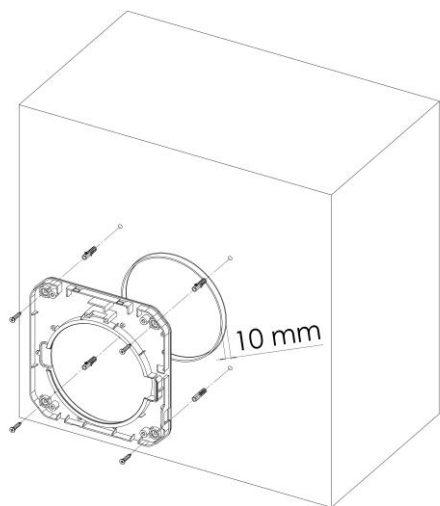
2. After making the electrical power connection mount the inner cover piece on the wall fixture part and then screw it into its place.



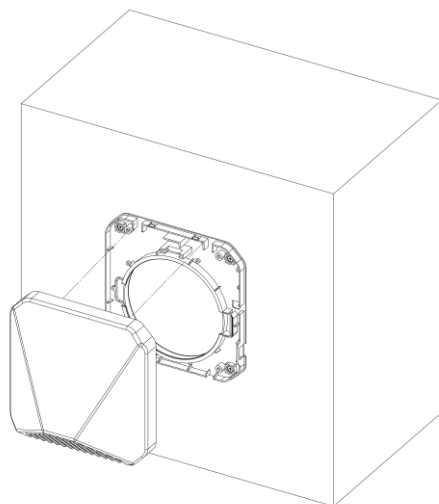
3. Align the capsule part such that the fan socket is on the left. Then push it inside the pipe, making sure the fans socket is correctly seated.



4. Put the front cover part on to the inner cover part and push the hinges. Make sure that both hinges are securely clicked in place.

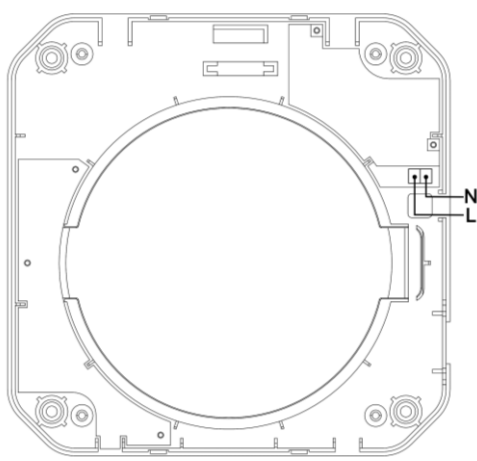


5. Align the outer wall fixture part with the 10mm protrusion of the telescopic pipe part. Drill 4 holes then insert dovels and screw the part on to the wall.



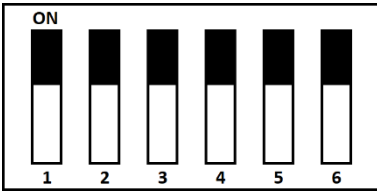
6. Place the outer hood part on to the wall fixture part and push it in its place. Make sure that the parts are securely clicked in place.

Electrical Connection

	<p>For the electrical connection of the device, L and N lines of AC 220V/50Hz mains electricity are connected to the terminal shown in the figure on the inner wall mounting part.</p> <p>Electrical cable connections can be hidden by coming out of the wall and passing through the cable hole in the part, or by opening a hole on the side of the inner cover piece for the cable to pass through.</p>
---	---

Wireless Pairing of Multiple Devices

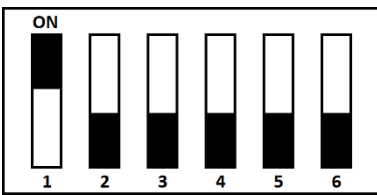
BSK Zephyr devices can work individually or as a group by connecting to each other wirelessly. By connecting devices in more than one room or in different rooms, you can also control other connected devices through a single master device. Up to 15 different address groups can be created.



All switches up

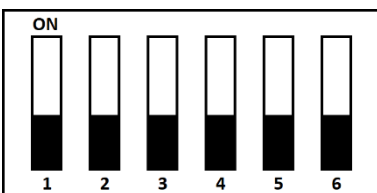
Stand-alone Device Mode; Your device will work in stand-alone mode, without connecting to another device.

The address keys #3-4-5-6 are set to ON. Keys #1-2 don't matter.



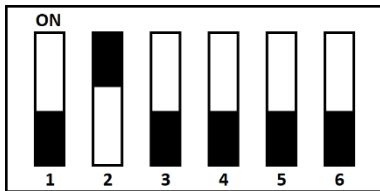
Primary Device Mode; It creates a wireless network which secondary devices with the same address can connect to and controls the devices connected to it.

The #1 key is set to ON. The desired address is set from the address keys # 3-4-5-6.



Secondary Device - Reverse Mode; It works in reverse to the primary device by connecting to the primary device with the same address. (E.g., Primary device blows air out while secondary device does the reverse and takes air in)

The #1 and #2 key is set to OFF. Address keys #3-4-5-6 are set to be the same as the primary device to be connected.



Secondary Device - Parallel Mode; It works in parallel with the primary device by connecting to the primary device with the same address. (E.g., Primary device blows air out while secondary device does the same and blows air out)

The #1 key is set to OFF and the #2 key set to ON. Address keys #3-4-5-6 are set to be the same as the primary device to be connected.

Address List

<p>Adress 0</p> <p>(0000)</p>	<p>Adress 1</p> <p>(0001)</p>	<p>Adress 2</p> <p>(0010)</p>	<p>Adress 3</p> <p>(0011)</p>
<p>Adress 4</p> <p>(0100)</p>	<p>Adress 5</p> <p>(0101)</p>	<p>Adress 6</p> <p>(0110)</p>	<p>Adress 7</p> <p>(0111)</p>
<p>Adress 8</p> <p>(1000)</p>	<p>Adress 9</p> <p>(1001)</p>	<p>Adress 10</p> <p>(1010)</p>	<p>Adress 11</p> <p>(1011)</p>
<p>Adress 12</p> <p>(1100)</p>	<p>Adress 13</p> <p>(1101)</p>	<p>Adress 14</p> <p>(1110)</p>	<p>Stand-alone Mode</p> <p>(1111)</p>

IR Remote

On/Off Button:



When this button is pressed while the device is in the off position, the front cover will open and the fan will start to operate. When this button is pressed while the device is on, the front cover will be closed and the fan will stop.

Air Flow Mode Buttons

- When the air flow control buttons are pressed, the device turns the air flow in the relevant direction.



Supply mode: The device will supply air from outside to inside continuously for 30 minutes. After 30 minutes, the device returns to the cycle mode. There is no heat recovery in this mode.



Cycle mode: It is the default operating mode of the device. The device will change the direction of the air flow every 70 seconds between supply mode and exhaust mode. This mode recovers heat through the ceramic heat exchanger inside the device.



Exhaust mode: The device will exhaust air from inside to outside continuously for 30 minutes. After 30 minutes, the device returns to the loop mode. There is no heat recovery in this mode.

Fan Speed buttons

- When the fan speed control buttons are pressed, the device adjusts the fan speed to the relevant level.



Night Mode

15m³/h



Speed I

30m³/h



Speed II

45m³/h






Speed III

60m³/h

- When the night mode button is pressed, the device not only switches to the lowest fan speed, but also closes the front cover a little more than its normal opening in order to reduce the noise levels further.

Humidity Level buttons

- When the humidity level buttons are pressed, the device adjusts the set humidity value to the relevant level.

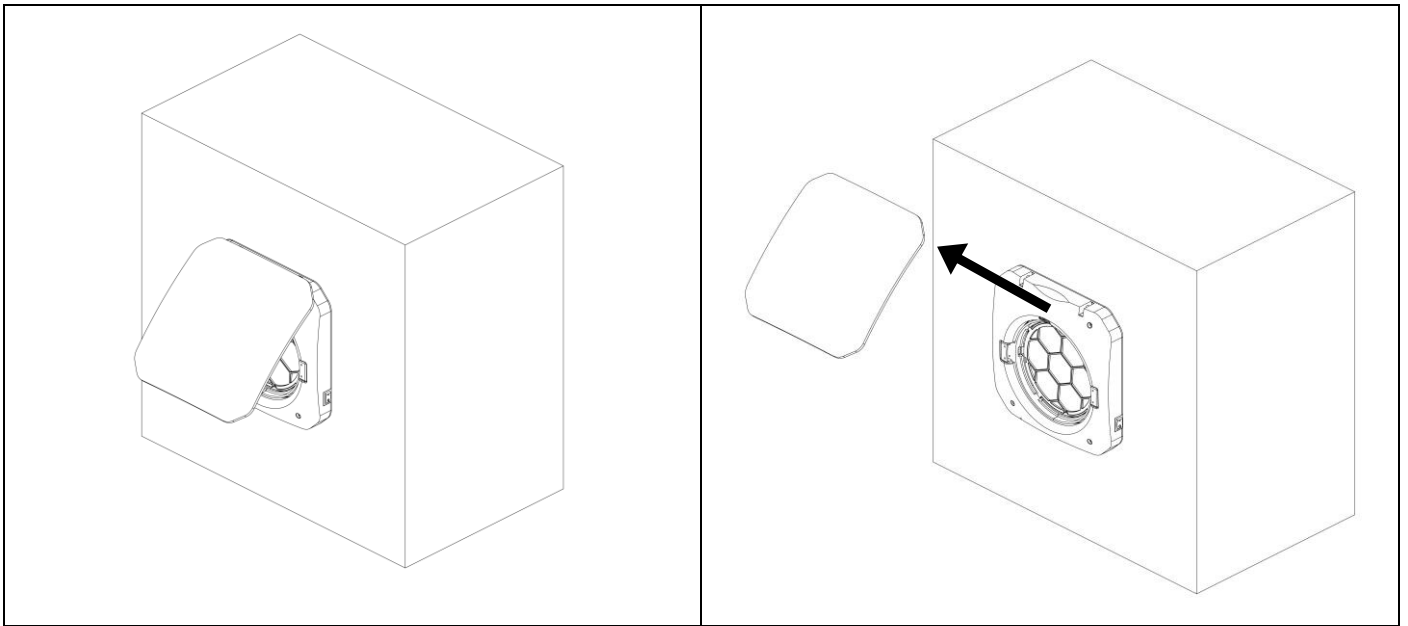
		
Level I	Level II	Level III
40%	60%	80%

- Thanks to the humidity sensor on the device, it constantly controls the relative humidity level in the environment. If the humidity level in the environment is above the determined level, the device switches to shot mode for moisture evacuation. When the humidity level in the environment falls below the specified level, the device continues to operate normally.
- *Long press the Level III button, the device turns off the automatic humidity mode.* Regardless of the humidity level, the device will not switch to the humidity evacuation mode.

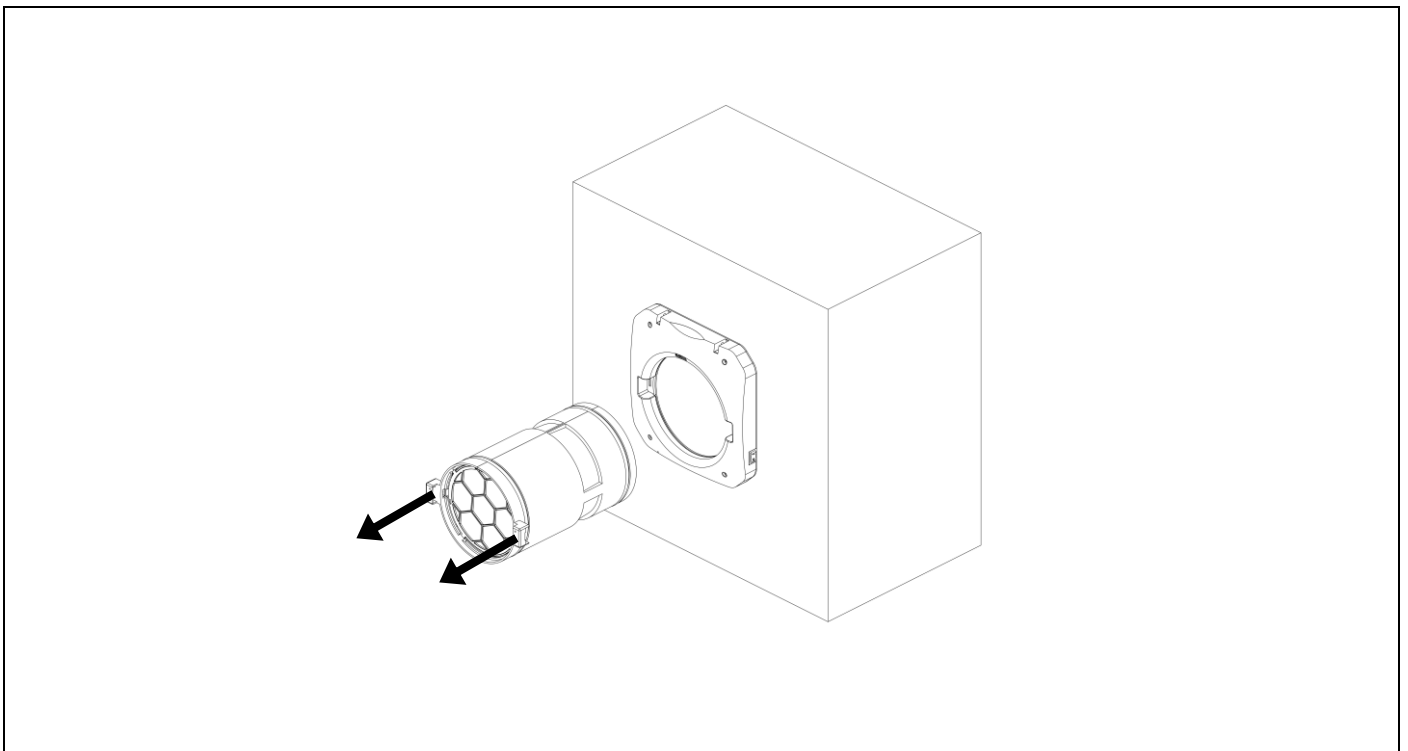
General Maintenance

- As you use your device, dirt and dust will slowly accumulate around your filters and inside the capsule. This may block some of the airflow around the device and it may also decrease the thermal conduction of the ceramic heat exchanger
- To ensure maximum performance and heat recovery efficiency, a routine maintenance and cleaning of the device is required. The frequency of this is highly dependent on the working and environmental conditions of the installed device.
- Filters should be checked after about 3 months of use since the last change, and they need to be cleaned or changed again if necessary.
- The capsule should be checked after about 6 months of use since the last cleaning, and it needs to be cleaned if necessary

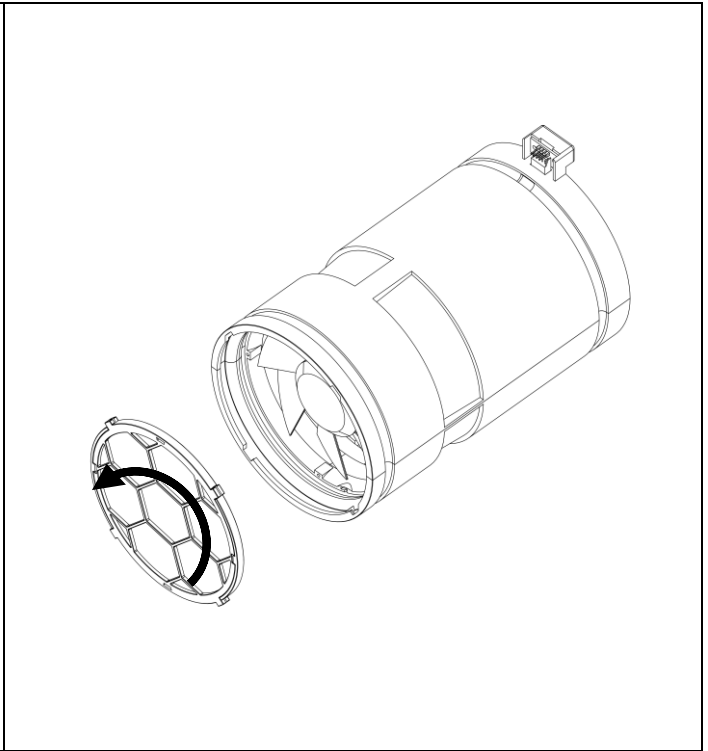
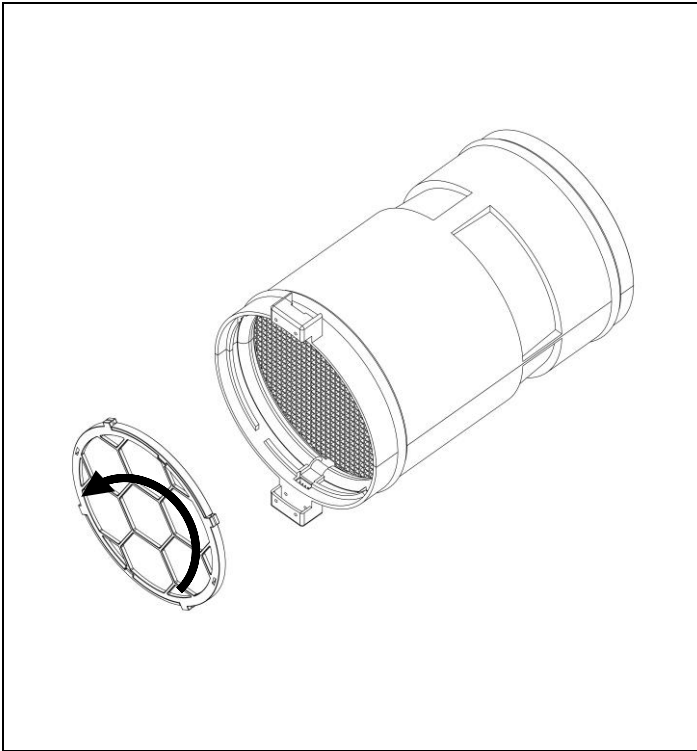
Filter Change and Capsule Disassembly



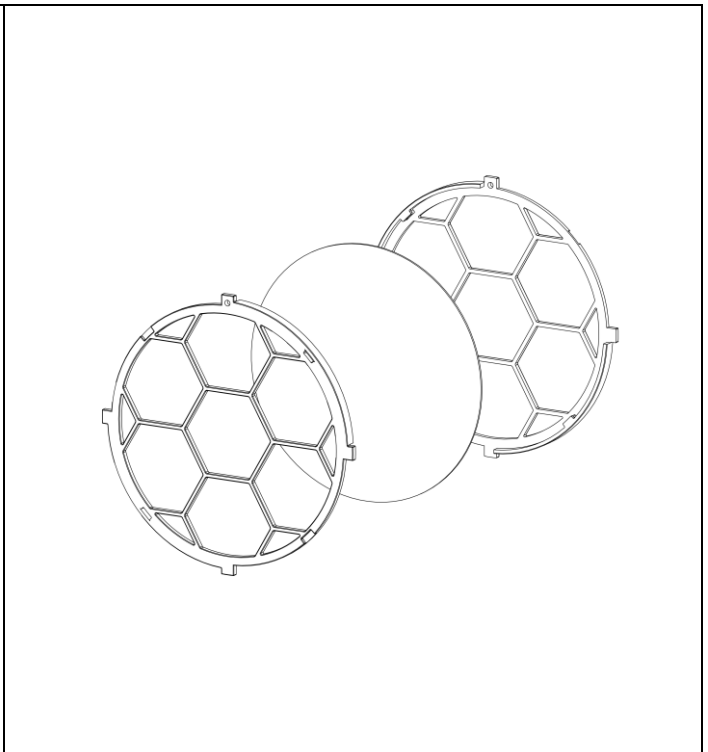
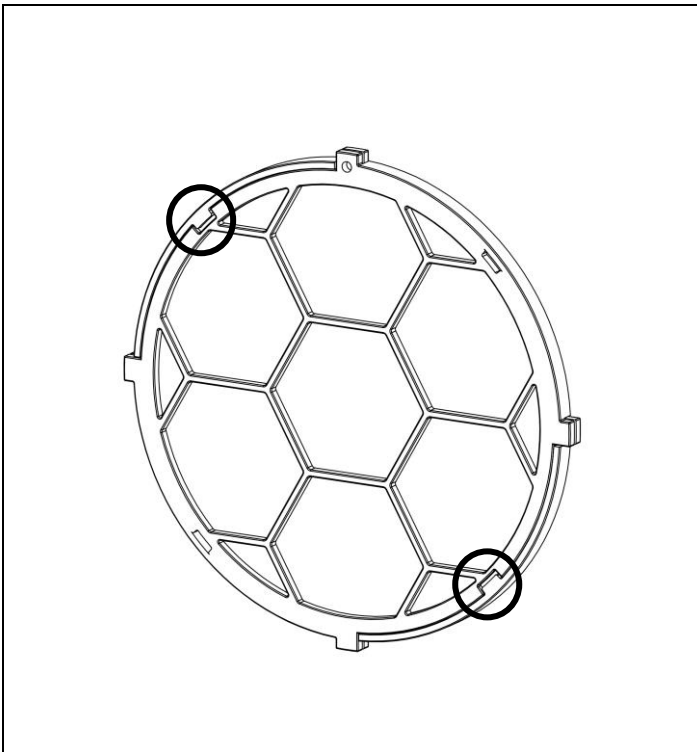
1. Remove the front cover piece by first tilting it about 45 degrees and then pulling it up from the inner cover piece.



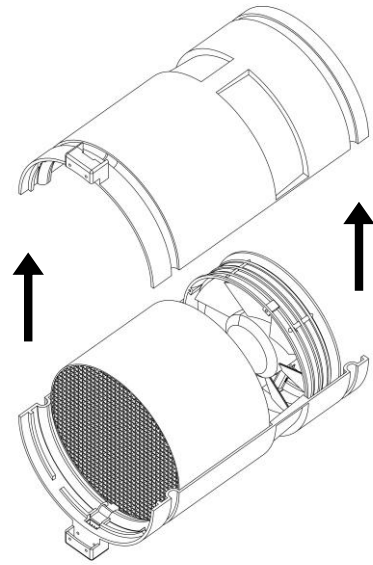
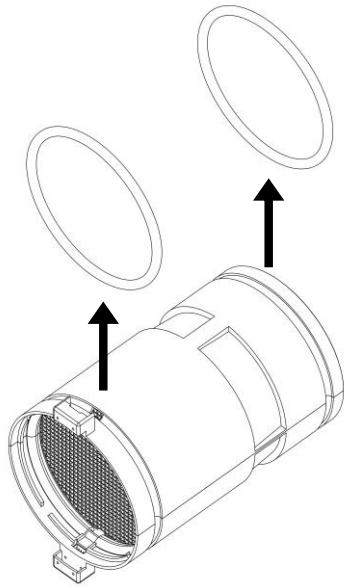
2. Remove the capsule piece by holding it from its sides and pulling it off from the pipe.



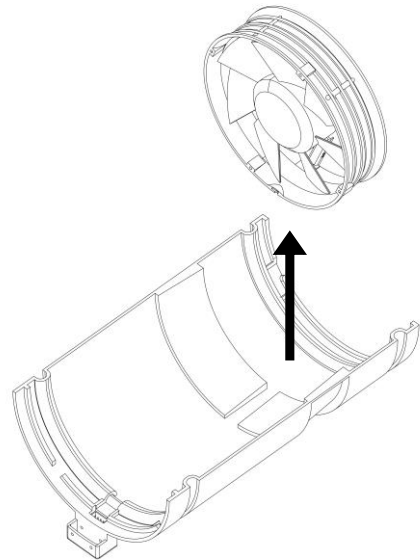
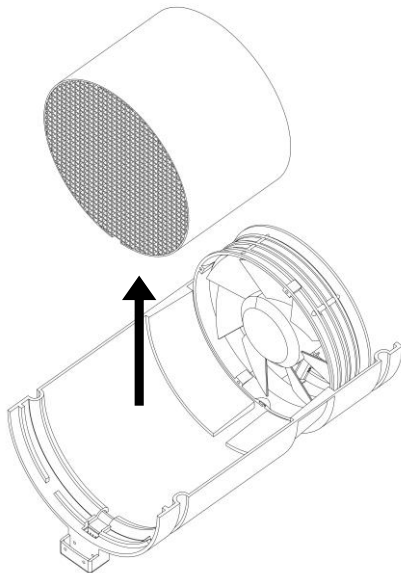
3. You can remove the filter pieces by turning them counter-clock wise and pulling them off from the capsule piece. You do not need to disassemble the capsule pieces just to remove filters.
4. After removing both the front and the back filter, you can insert new filter cartridges, change the filters inside their cartridges or clean them with compressed air or warm water;



5. To change the filter inside cartridge, separate the two halves of the filter cartridge by un-hooking the 2 notches on each side of the filter;



6. Remove the 2 elastic gaskets holding the capsule together. Be careful that once the gaskets are off there will be nothing holding the 2 halves of the capsule together



7. Gently remove the ceramic heat exchanger core from inside the capsule.

8. Unplug the wire from its socket and then remove the fan.

9. Follow these steps in reverse order to assemble the capsule back.

Cleaning the Capsule

1. You can clean the capsule pieces by gently wiping them with a wet towel or sponge. Let them dry for a few hours before assembling them back.
2. You can clean the fan by gently wiping its blades and cover with a wet towel or sponge. Let it dry for a few hours before putting it back in.
3. You can clean the ceramic core with compressed air or warm water. If you used water to clean the ceramic core, let it air dry for about a day before putting it back in.

!!! Be careful cleaning the ceramic core and blades of the fan as they might have sharp edges. Wear cleaning gloves if necessary.

WARRANTY DETAILS

BSK guarantees that the heat recovery unit it produced are of good quality. It ensures repair during the warranty period for faults which could manifest from material and component defects, or manufacturing problems as well as fan or electronics. BSK does not accept any liability for damage caused by improper and irresponsible use conditions or incorrect assembly.

Failings related to all mechanical and electrical components such as fans, motors, and circuitry, caused by defective modules are covered by warranty for 2 years, starting from the date of invoice to the customer.

If repairs or modifications to parts have been made without the written permission of BSK or the authorised service, the device will not be covered by the warranty. Repaired device malfunctions, and changed defective parts handled by means of the technical staff appointed by BSK or an authorised service will not void the warranty. Also, the replacement of filters contained in the device, made by BSK, will be excluded from this scope.

BSK warranty includes the replacement spare parts for fan, servo motor and electronic components. It does not include the wages of service personnel, transportation, operation and / or maintenance costs. If the defect is within coverage of the warranty, contact must be made to the authorised service. If the defect is within 30 days from the date of invoice to the customer, transportation costs of the device shall be borne by the authorised service, otherwise these costs must be met by the customer.

UK Authorised Service

BPC Ventilation Limited
8 Redlands Road, Larne
County Antrim, BT40 1AX
Telephone 028 2827 5140
www.bpcventilation.com
email: info@bpcventilation.com



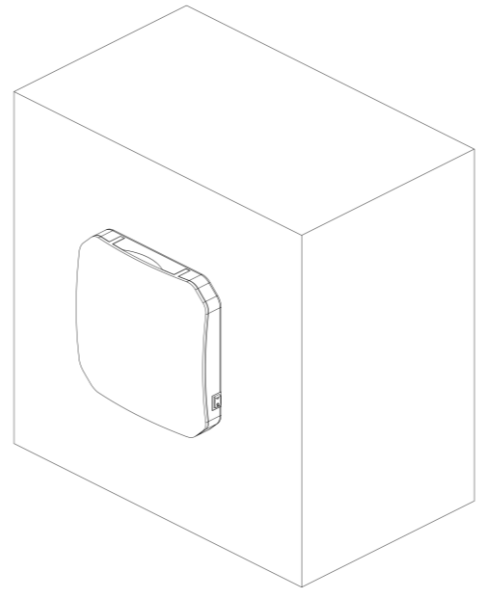
Pairing your BSK Zephyr device with the Mobile App



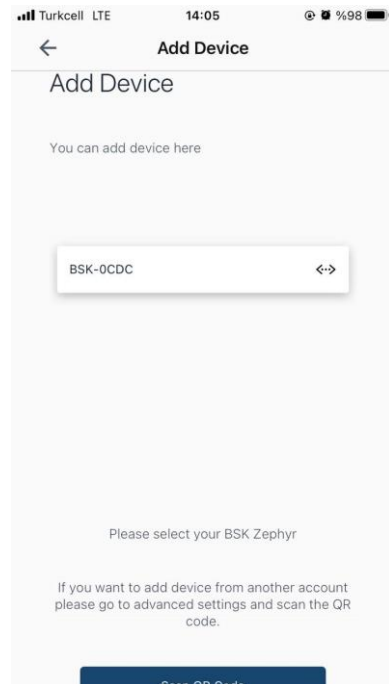
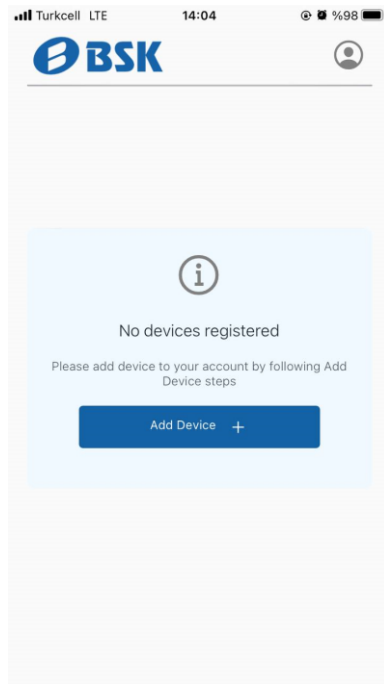
Download the iOS app from Apple Store



Download the Android app from Google Play Store

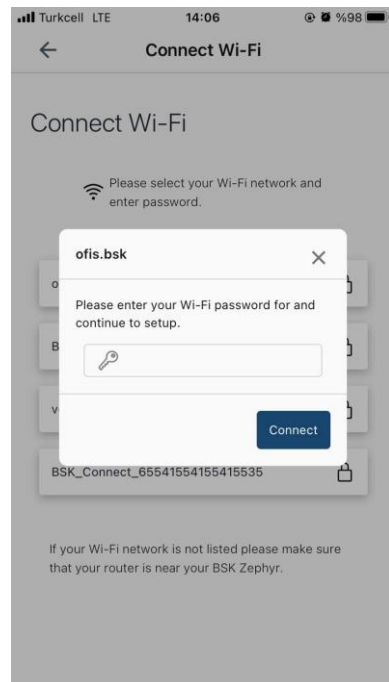
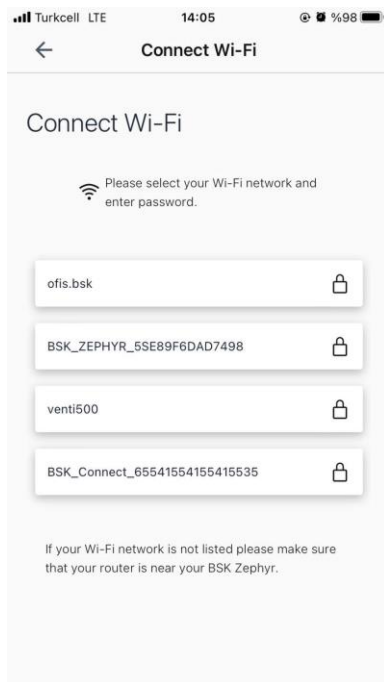


1. Turn off your device using the IR remote control
2. Press and hold "Night Mode" button while the device is turned off.
3. You will hear 3 beeps, indicating that the device is now in "Pair Mode"



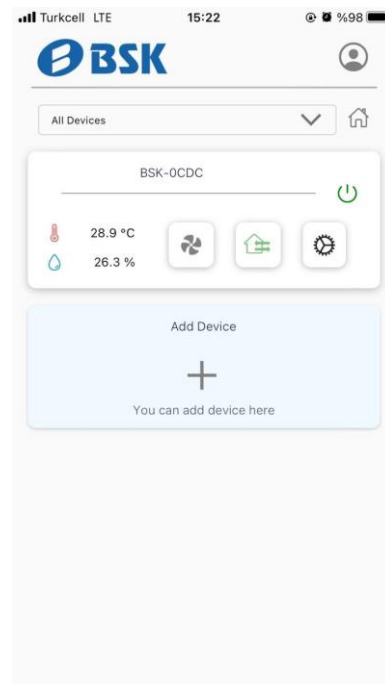
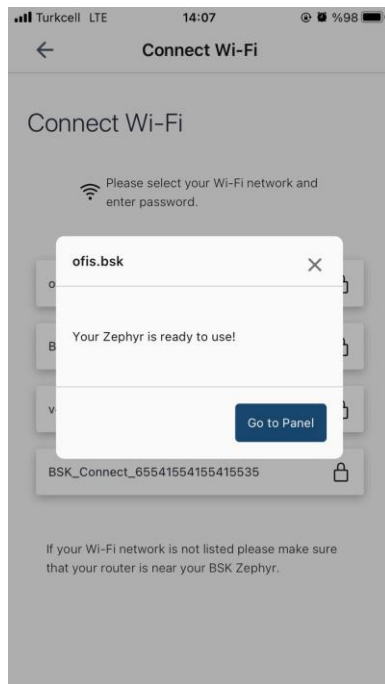
4. Login to your BSK Zephyr app, then press "Add Device" button.

5. Select your device from the available device list.



6. A list of available networks will be shown. Select the network you want to connect.

7. Enter your Wi-Fi network password, and then press the "Connect" button.



8. When the device successfully connects to your network, press “Go to Panel” button.

9. You can now control your BSK Zephyr from your mobile device.

BSK Zephyr Mobile App YouTube video:

Search name: [Zephyr Mobile App](#)

Full address: <https://www.youtube.com/watch?v=jygr331jhS4>