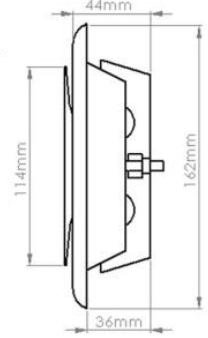
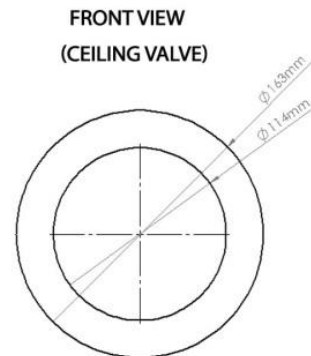
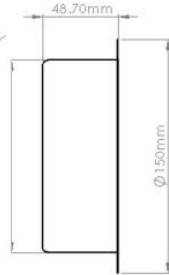
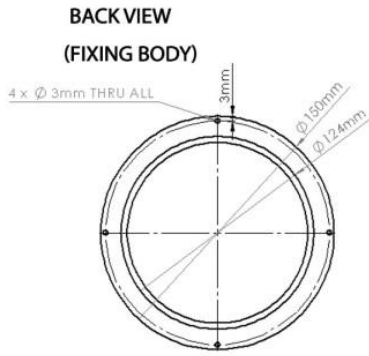


PRODUCT DATA SHEET

MW125

WHITE METAL CEILING AIR SUPPLY VALVE

W RAL9010



SPECIFICATION DETAILS

The MW125 125mm diameter Round White Metal Ceiling Air Supply Valve is manufactured from White Epoxy Powder Coated Steel. The valve has a male spigot to fit inside of the System 125 duct.

The MW125 supply air valve is fully adjustable and has a locking nut to fix the position of the control disc upon commissioning.

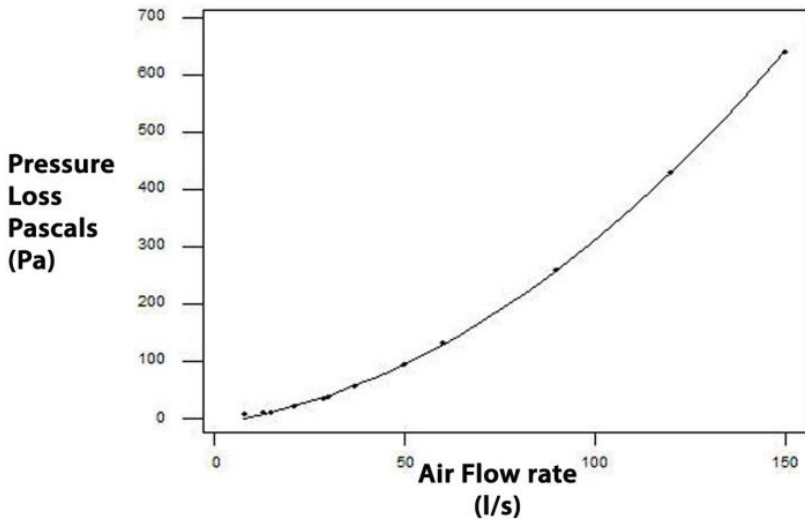
The MW125 is supplied complete with a fixing body with pre-drilled holes for installation.

MW125 has been designed for use with Verplas System 125 Round.

Manufacturer:	Verplas Ltd
Part Number:	MW125
Size:	125mm Diameter
For use with:	Verplas System 125
Box quantity:	7
Individual Weight:	343g
Colour:	White

MAX/MIN OPERATING TEMPERATURES	+ 100°C to - 20°C
---------------------------------------	-------------------

PERFORMANCE CURVE



*Pressure losses with Control Disk 10mm open

Associated Ancillaries

<p>125mm 2m Round Pipe</p> <p>VKC2692</p>	<p>125mm Round Pipe Connector</p> <p>VKC355</p>	<p>125mm Round White Metal Ceiling Extract Valve</p> <p>MW124</p>	<p>125mm Pipe to Pipe Self-Seal Coupling</p> <p>VSSC125PP</p>	<p>125mm Pipe to Fitting Self-Seal Coupling</p> <p>VSSC125PF</p>
---	---	---	---	--

AIRFLOW	RESISTANCE
8 l/s	6.00 pa
13 l/s	9.50 pa
21 l/s	19.50 pa
30 l/s	36.42 pa
60 l/s	132.00 pa
120 l/s	430.00 pa