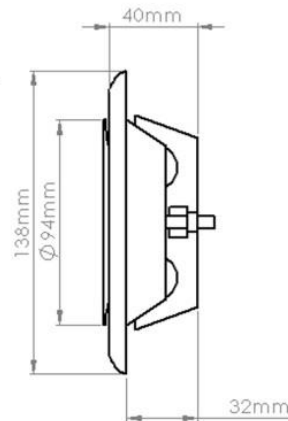
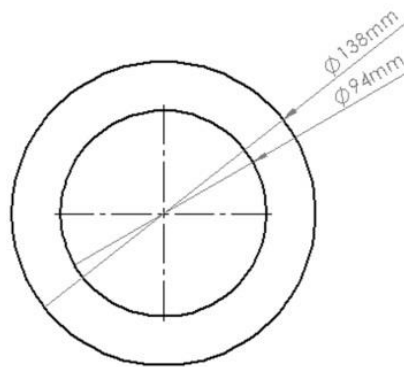


**PRODUCT DATA SHEET**

**MW105FRS**

**FIRE RATED SUPPLY VALVE**

**W** RAL9010



**SPECIFICATION DETAILS**

The MW105FRS 100mm diameter Round White Metal Ceiling Air Supply Valve is manufactured from White Epoxy Powder Coated Steel. The valve has a male spigot to fit inside of the System 100 duct.

The MW105FRS supply air valve is fully adjustable and has a locking nut to fix the position of the control disc upon commissioning.

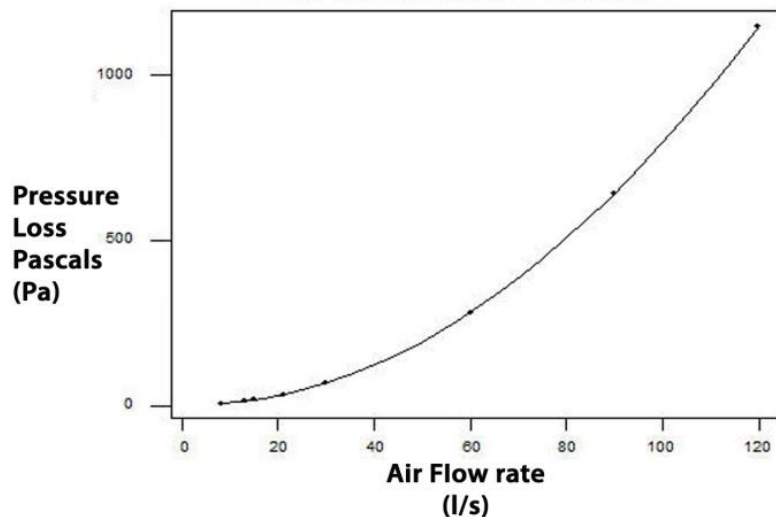
The MW105FRS is supplied complete with a fixing body with pre-drilled holes for installation.

MW105FRS has been designed for use with Verplas System 100 Round.

<b>Manufacturer:</b>	Verplas Ltd
<b>Part Number:</b>	MW105FRS
<b>Size:</b>	100mm Diameter
<b>For use with:</b>	Verplas System 100
<b>Box quantity:</b>	7
<b>Individual Weight:</b>	272g
<b>Colour:</b>	Silver

<b>MAX/MIN OPERATING TEMPERATURES</b>	+ 60°C to - 15°C
---------------------------------------	------------------

**PERFORMANCE CURVE**



\*Pressure losses with Control Disk 10mm open

<b>AIRFLOW</b>	<b>RESISTANCE</b>
8 l/s	6.15 pa
13 l/s	12.35 pa
21 l/s	32.50 pa
30 l/s	66.50 pa
60 l/s	280.00 pa
120 l/s	1150.00 pa