

# INTRODUCING THE NEXT GENERATION OF MEV...



## NEW MEV-ECO

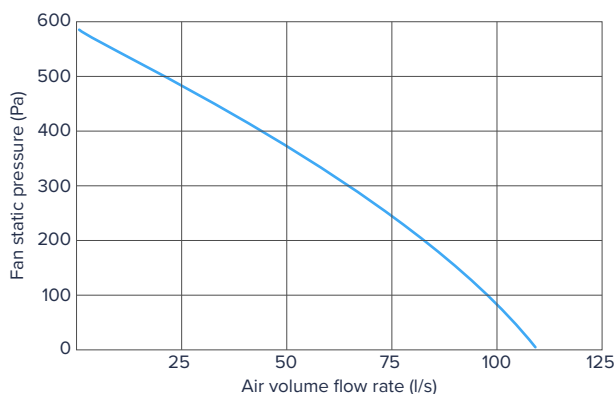


### WHAT MAKES THE MEV-ECO DIFFERENT

The new MEV-ECO is a centralised extract system capable of extracting air from multiple wet rooms in a property.

Units are SAP recognised and have been designed to meet the most current building regulations, both Part F and Part L. MEV-ECO utilises market-leading technology to achieve high performance, high efficiency and low noise all in a low depth and compact case size.

#### Performance



#### Multi-Room Extract

Units have three inlets, capable of extracting from multiple wet rooms



#### Low Depth

Only 125mm depth, ideal for properties with limited ceiling void space



#### High Efficiency

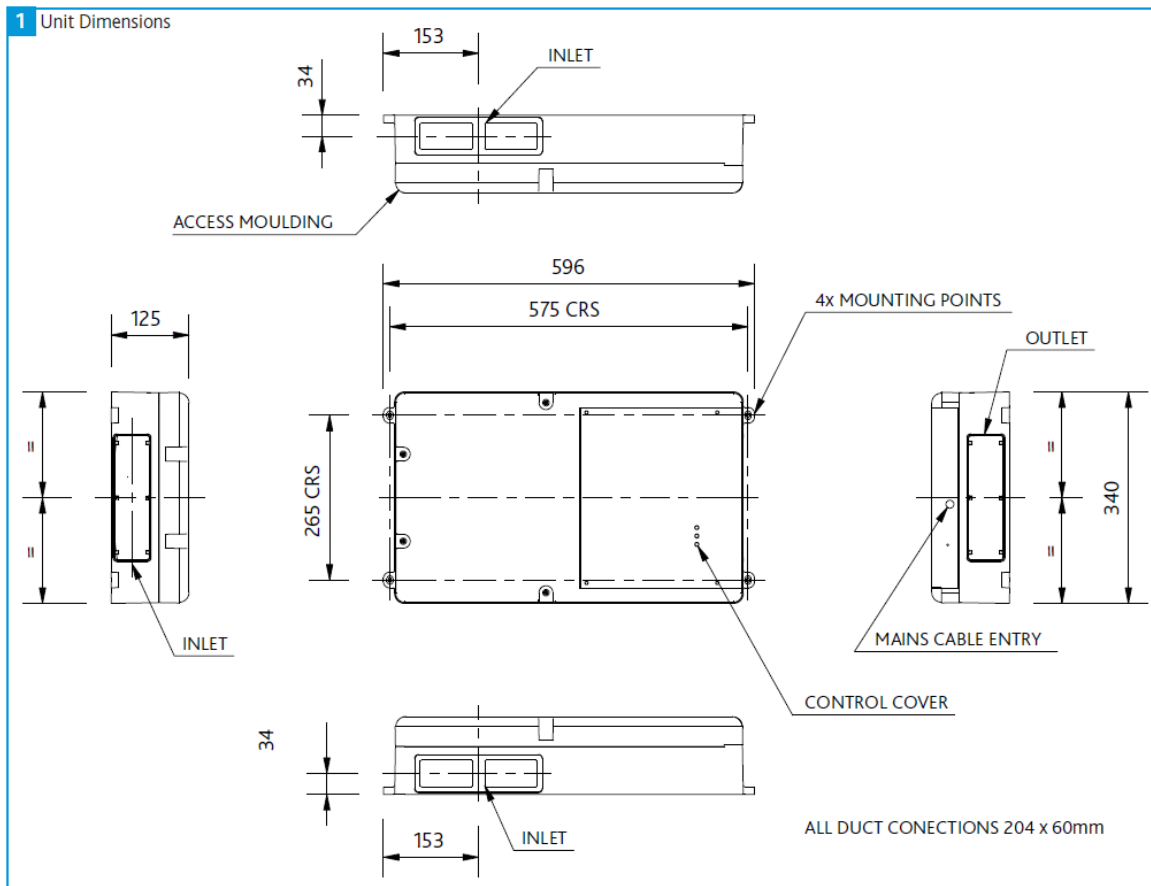
Latest DC motor technology for market-leading energy efficiency levels

Kitchen + n wet room	SFP (w/l/s) [2012]
Kitchen + 1 wet room	0.17
Kitchen + 2 wet room	0.17
Kitchen + 3 wet room	0.20
Kitchen + 4 wet room	0.24
Kitchen + 5 wet room	0.30
Kitchen + 6 wet room	0.35

For more information visit [www.nuaire.co.uk/mev-eco](http://www.nuaire.co.uk/mev-eco) or call 029 2085 8500.



# COMPACT DESIGN BUILT FOR EASY INSTALLATION



## THE FULL BENEFITS OF MULTI-ROOM EXTRACTION

The MEV-ECO has three inlets which allow it to extract stale, pollutant-laden air from multiple wet rooms in the house.

Fresh air replaces the extracted air, entering via grilles and windows throughout the home. This method of ventilating will maintain a high standard of indoor air quality all year round.

**INTEGRAL HUMIDISTAT UNIT AVAILABLE**



### Easy Installation

Units do not have spigots, ducts can be run directly to the unit for simple install



### Low Maintenance

Units run continuously with minimal cleaning of air valves required



### Quiet

Noise breakout at full speed is less than 37 dBA



### Humidistat

Humidistat units monitor humidity levels and automatically adjust fan speed

For more information visit [www.nuaire.co.uk/mev-eco](http://www.nuaire.co.uk/mev-eco) or call 029 2085 8500.

