

Vent-Axia®

Sentinel Econiq M & L MVHR

Installation and User Guide Instructions

Original instruction



Stock Ref. N°

- 499632 - Sentinel Econiq M
- 499638 - Sentinel Econiq MC
- 499639 - Sentinel Econiq MCP RH
- 499640 - Sentinel Econiq MCP LH

- 499641 - Sentinel Econiq L
- 499647 - Sentinel Econiq LC
- 499648 - Sentinel Econiq LCP RH
- 499649 - Sentinel Econiq LCP LH



**PLEASE READ THESE INSTRUCTIONS CAREFULLY
BEFORE COMMENCING INSTALLATION OR OPERATION.**

**PLEASE REFER TO ACCOMPANYING DOCUMENTATION
FOR INFORMATION SPECIFIC TO YOUR UNIT.
PLEASE RETAIN THESE INSTRUCTIONS WITH THE
PRODUCT.**



Warnings and Safety Information

- Do not install this product in areas where the following may be present or occur:
 - Excessive oil or a grease laden atmosphere.
 - Corrosive or flammable gases, liquids or vapours.
 - Subject to direct water spray from hoses.
 - Ambient temperatures higher than 40°C and lower than -20°C.
 - Possible obstructions that may hinder access to or removal of the unit.
- All wiring must be in accordance with the current IET wiring regulations BS7671, or appropriate standards of your country. Installation should be inspected and tested by a suitably qualified person after completion.
- Ensure the mains supply (voltage, frequency and phase) complies with the rating label.
- The unit should be provided with a local double pole fused spur fitted with a 3A fuse having a contact separation of at least 3mm. If a unit fitted with a preheater is being installed, a 13A fuse should be used.
- This appliance must be earthed.
- Precautions must be taken to avoid the backflow of gases into the building from the open flue of gas or other fuel-burning appliances.
- This appliance is not intended for use by persons (including children) with reduced physical, sensory or mental capabilities, or lack of experience and knowledge, unless they have been given supervision or instruction concerning use of the appliance by a person responsible for their safety.
- Young children should be supervised to ensure that they do not play with the appliance.
- The installer is responsible for the installation and electrical connection of the MVHR system on site. It is the responsibility of the installer to ensure that the equipment is safely and securely installed and left only when mechanically and electrically safe.
- All regulations and requirements must be strictly followed to prevent hazards to life and property, both during and after installation, and during any subsequent servicing and maintenance.
- The unit's condensate drain must be connected to the building's wastewater drainage system.
- Certain applications may require the installation of sound attenuation to achieve the sound levels required.
- The unit must not be connected directly to a tumble drier.
- The supply and exhaust valves must be fully opened prior to commissioning.
- The intake air must be drawn from the exterior of the property.
- The unit should be allowed to stabilise during commissioning for a minimum period of 5 minutes when changing between boost and normal speeds.
- External grilles should be positioned in accordance with your local building regulations, however as a minimum we recommend that the inlet grille is kept 2m from any discharge grille or flue outlet.
- This product and associated duct installation should be carried out in accordance with the Domestic Ventilation Compliance Guide.

UK Building Regulations (Part F) Declaration of Conformance

The unit conforms to the 2010 Building Regulation (Part F - Means of Ventilation, F1(1), F(2)) requirements for fixed systems for mechanical extract fans when installed in accordance with the instructions in this document and the Domestic Ventilation Compliance Guide.

| | |
|---|-----------|
| Product Description | 4 |
| Installation | 5 |
| Overview | 5 |
| Wall mounting a Unit | 6 |
| Floor mounting a Unit | 7 |
| Vertical Discharge Condensate Installation | 8 |
| Attaching the Ducting | 8 |
| Connecting the Power Supply | 9 |
| Accessing the Mains PCBA | 10 |
| Connecting a Boost (Light) Switch from a different circuit, Controllers and Sensors | 11 |
| Operating and Monitoring | 13 |
| Powering up the Unit | 13 |
| Initialisation/Loading Screen | 13 |
| Serial number on initialisation | 13 |
| Overview | 14 |
| Display overview – Home screen | 14 |
| Home user menu | 15 |
| Display overview – Additional icons | 15 |
| Display overview – Mode indicators | 16 |
| Display overview – Indoor air quality monitor | 16 |
| Display overview – Heat Recovery mode | 17 |
| Smart Device Pairing and App Download | 17 |
| Pairing sensors | 18 |
| Removing sensors | 18 |
| Speed Override | 19 |
| Heat Recovery | 19 |
| Schedule | 20 |
| Silent Hours Mode | 20 |
| Filter Reset | 21 |
| Warning Screen | 21 |
| Service Interval Remaining | 21 |
| Notifications if any | 21 |
| Engineer menu | 22 |
| Engineer menu – Overview | 22 |
| Engineer menu – Unit Handling | 23 |
| Engineer menu – Airflow units | 23 |
| Engineer menu – Airflow speed setting | 24 |
| Engineer menu – Port allocation LS | 24 |
| Engineer menu – Port allocation | 25 |
| Engineer menu – Proportional Inputs | 25 |
| Engineer menu – Service Intervals | 26 |
| Engineer menu – Summer bypass | 26 |
| Engineer menu – Humidity | 27 |
| Engineer menu – Frost Protection | 27 |
| Engineer menu – CO2 threshold | 27 |
| Engineer menu – Date / Time | 28 |
| Engineer menu – PIN Change | 28 |
| Engineer menu – Resets unit to factory defaults | 28 |
| HMI – Reset HMI & Mainboard pairing | 29 |
| HMI – Rest HMI to factory defaults including its pairing – Mainboard not affected | 29 |
| Maintenance | 30 |
| Filter Maintenance | 30 |
| Periodic Maintenance | 31 |
| Spares | 32 |
| Diagnosing a Problem | 33 |
| Power on Self-Test – HMI | 34 |
| Power on Self- Test – Mainboard | 34 |
| Accessories | 35 |
| Technical Data | 36 |
| Flow Rate settings | 36 |
| Frost Protection | 36 |
| Summer Bypass Mode | 37 |
| Input Ports allocation Menus | 38 |
| Product Dimensions | 40 |
| Default settings | 41 |
| Product Fiche | 42 |
| Disposal | 48 |

Product Description

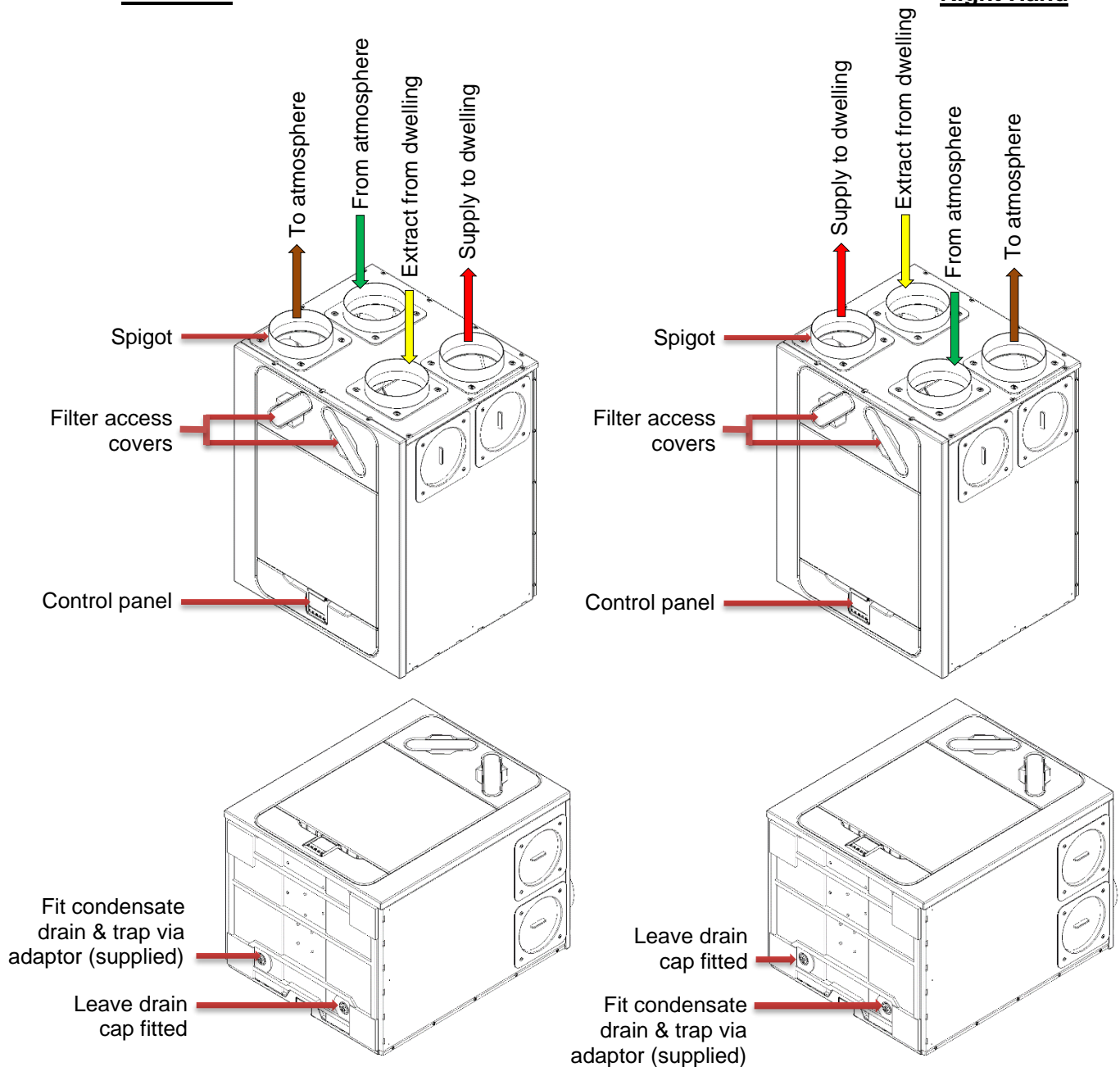
Mechanical Ventilation/Heat Recovery (MVHR). This heat recovery unit is designed for the energy efficient ventilation of houses and similar dwellings.

The unit is designed for continuous 24-hour extract ventilation of stale moist air from bathrooms, toilets, utility rooms and kitchens. As the stale air is extracted, a heat exchanger within the unit transfers up to 93% of the extract air's heat, into the supply air entering the habitable rooms such as bedrooms and lounge. This provides significant energy recovery, reducing household heating costs, and providing the optimum comfort conditions.

In addition, some models will feature Constant Volume which will maintain a constant airflow and overcome additional pressure constraints within its performance capabilities.

Left Hand

Right Hand



MVHR with Left-Hand and Right-Hand spigot configuration.
Units with a preheater are preconfigured from the factory and the handing cannot be changed.

Overview

Before installation of the unit

We advise installers to fix all mains and sensor wiring along with any internal accessories prior to fixing the MVHR unit in position, leaving approximately 500mm tails to allow for internal routing.

Inspect the Unit

When taking delivery of the unit, check the items delivered against the enclosed delivery note. Inspect the unit for damage in transit. If in doubt, contact Customer Services. Each box contains a heat recovery unit, a wall bracket and accessory pack containing miscellaneous fixings and product documentation.

Unit Installation

Installation should be carried out by a suitably qualified and competent person.

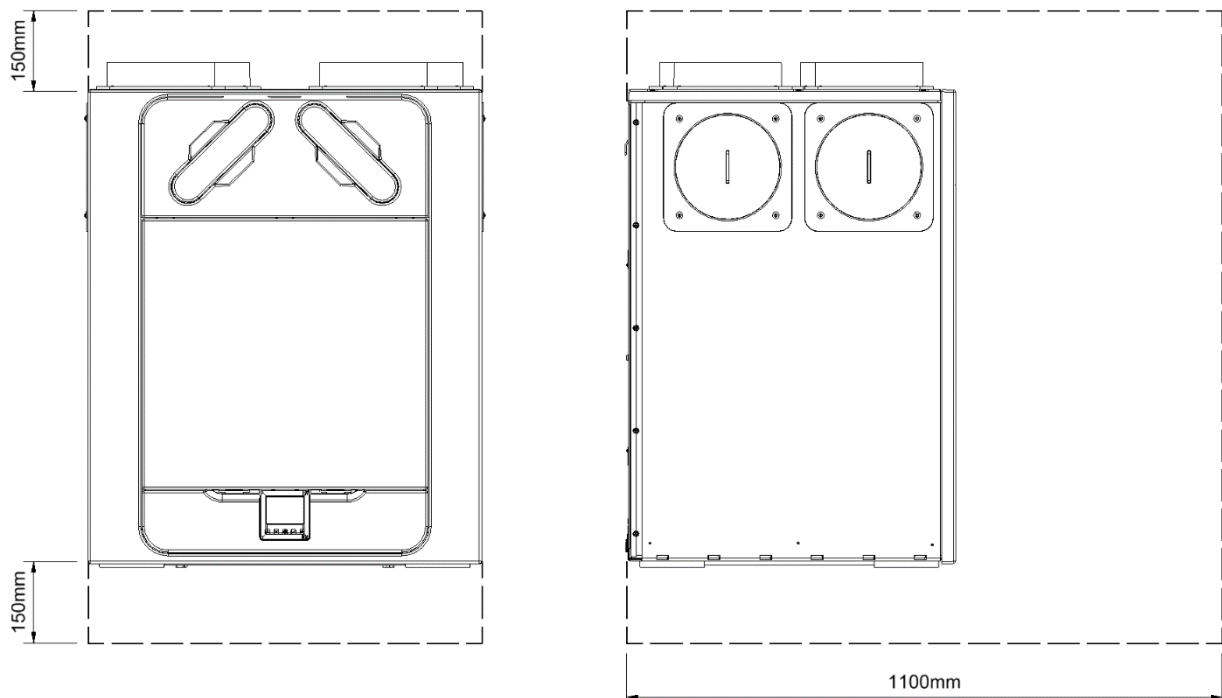
If the unit is wall mounted, the wall should have sufficient strength to support the unit

The unit may also be floor mounted, either directly to the floor or using standard kitchen cabinet feet (not supplied). Ensure that the unit is mounted upright.

Do not use this unit as a support for any other equipment.

Service Void

Clearance must be left around the unit to allow for cleaning and servicing, the dimensions below are the minimum requirements. The condensate drain trap used will dictate the necessary clearance below the unit which may be larger than the minimums.

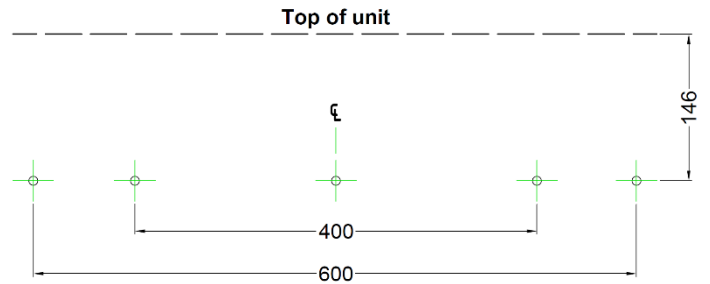


Select Unit Configuration

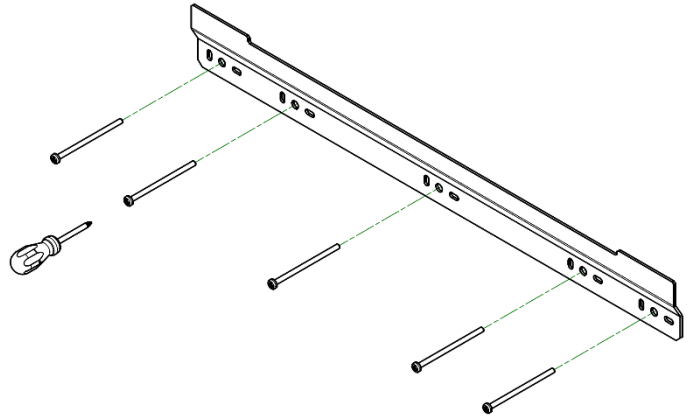
The unit is configurable as either Left or Right-Handed (Default), see page 4 for the spigot configuration. Use the Left-hand condensate drain for the Left-Hand configuration, the Right-hand drain for the Right-Hand configuration. If the unit is fitted with a preheater, the configuration is factory set and cannot be altered.

Wall Mounting the Unit

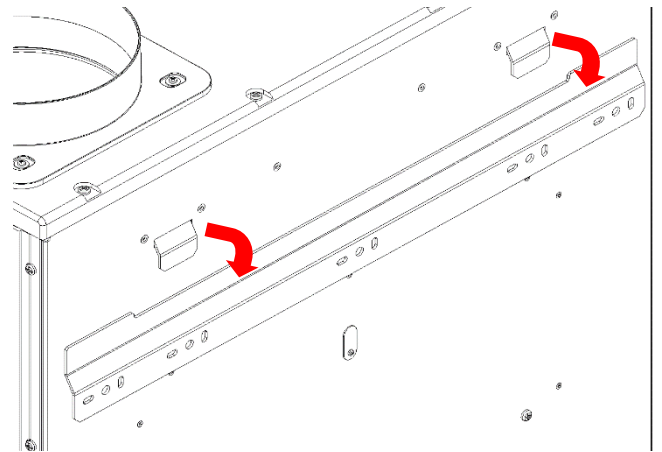
Step 1: Mark the wall bracket position using the dimensions shown. Note the position of the top of the unit in relation to the wall bracket. Ensure the bracket position is horizontal.



Step 2: Attach the wall bracket, using the supplied fixings, only if fixing into masonry walls/surfaces. Use appropriate fixings if attaching to alternative wall materials. **(Unit weight 53kg).**

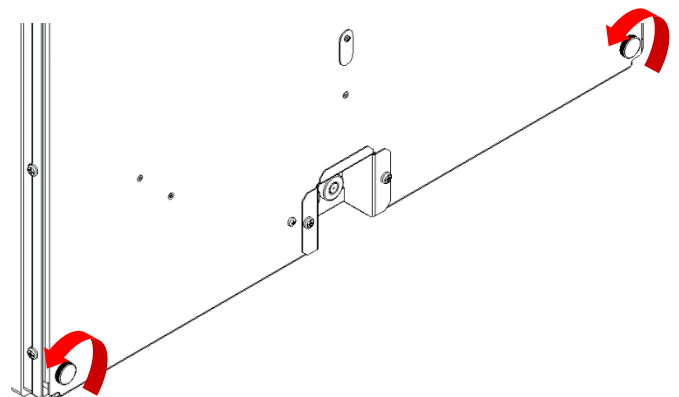


Step 3: Lift the unit and locate the two hooks on the rear onto the wall bracket.



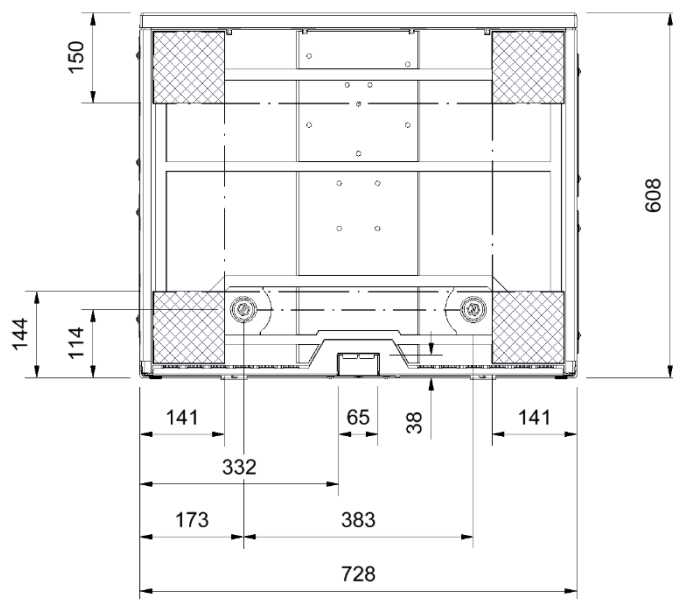
Step 4: Make sure the unit is level or leaning slightly backwards, this is to ensure the condensate drain functions correctly.

The mounting feet at the base of the unit are adjustable. From the factory, the mounting feet are set to compensate for the standoff caused by the mounting bracket. Adjust the feet in or out to level the unit as necessary.

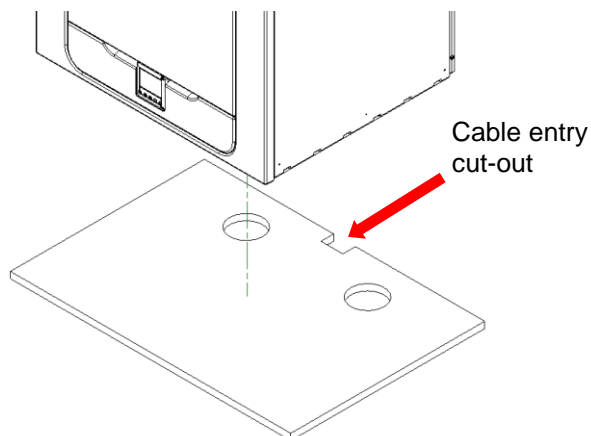


Floor Mounting the Unit

Step 1: The unit has 4 large mounting pads/feet (See hatched areas). Pre-drill a board using the dimensions shown and cut 1 x 10⁵mm minimum diameter hole for the condensate drain access for either Left or Right-hand setup. If the unit is against a wall a cut-out on the rear of the board will be required for the cable entry box.



Step 2: The board may be attached to joists, flooring, or equivalent with appropriate fixings, before mounting the unit. Mount the unit on top of the board, lining up the cut-outs.



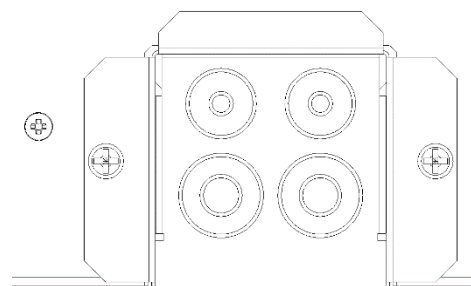
Note: Ensure any other cabling requirements (e.g., sensor, control cables etc) are routed through the back box on rear of the unit. prior to mounting the board.

Vent-Axia recommends that where possible, the wall bracket is used in conjunction with any floor mount solution to prevent the unit from tipping.

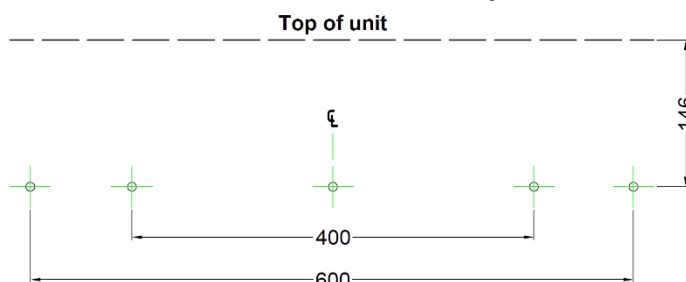
Step 3: Mark the wall bracket position using the Dimensions shown. Note the position of the top of the unit in relation to the wall bracket. Ensure the bracket position is parallel to the floor.

Step 4: Attach the wall bracket to the wall or batten using appropriate fixings. (As shown on page 6)

Step 5: Lift the unit and locate the two hooks on the rear onto the wall bracket prior to fixing the unit to the floor. (As shown on page 6).



Back box cable entry



Vertical Discharge Condensate Installation

Note:

Depending on the handling of the unit (See page 4) remove the required condensation blanking cap and fit the supplied condensation outlet adaptor to the unit first.

A trap must be fitted between the condensate drain of the unit and the rest of the waste system.

A waterless trap is recommended, as they are not susceptible to drying out during warmer periods when no condensate is formed. An example of a suitable waterless trap is the Osma HepVo waterless trap.

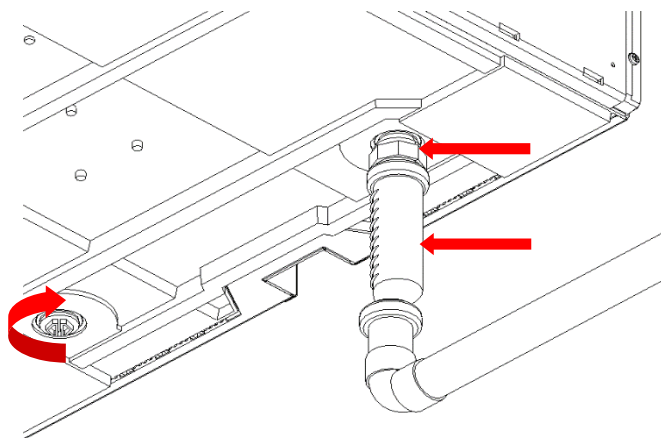
If a conventional trap is used, a trap with a minimum water seal of 60mm must be selected.

The condensate outlet is compatible with 32mm threaded waste pipe fittings. Wastepipes must have a 3-degree minimum angle to allow the water to drain away from the unit naturally.

In areas where freezing weather conditions occur, outlet pipes must be insulated to avoid blockage by ice, which may cause damage to the unit and surroundings.

This guide shows a Right-Hand configuration for illustration.

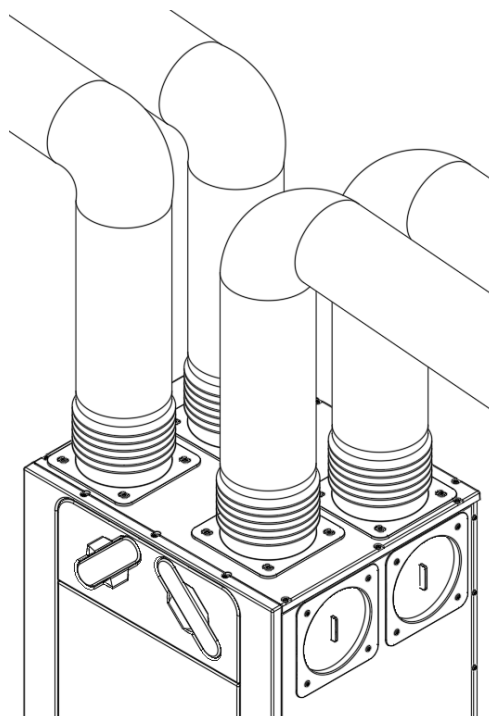
If the unit is configured as Left Hand, then the condensate drain should be installed on the left with the blanking cap on the right



Attaching the Ducting

1. If using Insulated flexible duct this should not exceed 500mm in length, please refer to your local building regulations.
2. Securely connect the ducting to the spigots using worm-drive clips or suitable plastic ties.
3. Insulate any ducting passing through an unheated space to prevent any heat losses or surface condensation.
4. Insulate all ducting to and from outside vents.

All ducting should be installed in accordance with your local building regulations and best practice.



Connecting the Power Supply



WARNING

1. MAINS SUPPLY VOLTAGES (220-240V AC) ARE PRESENT IN THIS EQUIPMENT, WHICH MAY CAUSE DEATH OR SERIOUS INJURY BY ELECTRIC SHOCK. ONLY A SUITABLE QUALIFIED PERSON SHOULD CONNECT THE POWER SUPPLY TO THIS UNIT.
2. THIS UNIT MUST BE CORRECTLY EARTHED.
3. ALL EXTERNAL WIRING MUST BE FIXED WIRING.

This unit is designed for operation from a single-phase alternating current source (220-240V AC).

A 1.5m cable is connected internally to the unit for connection to an isolator switch.

If the supply cord is damaged, it must be replaced by a special cord or assembly available from the manufacturer or its service agent.

To connect the power supply:

Ensure the local AC power supply is switched off.

One end of the power cable has already been terminated within the unit.

Connect the other end of the cable to a switched fused spur as shown.

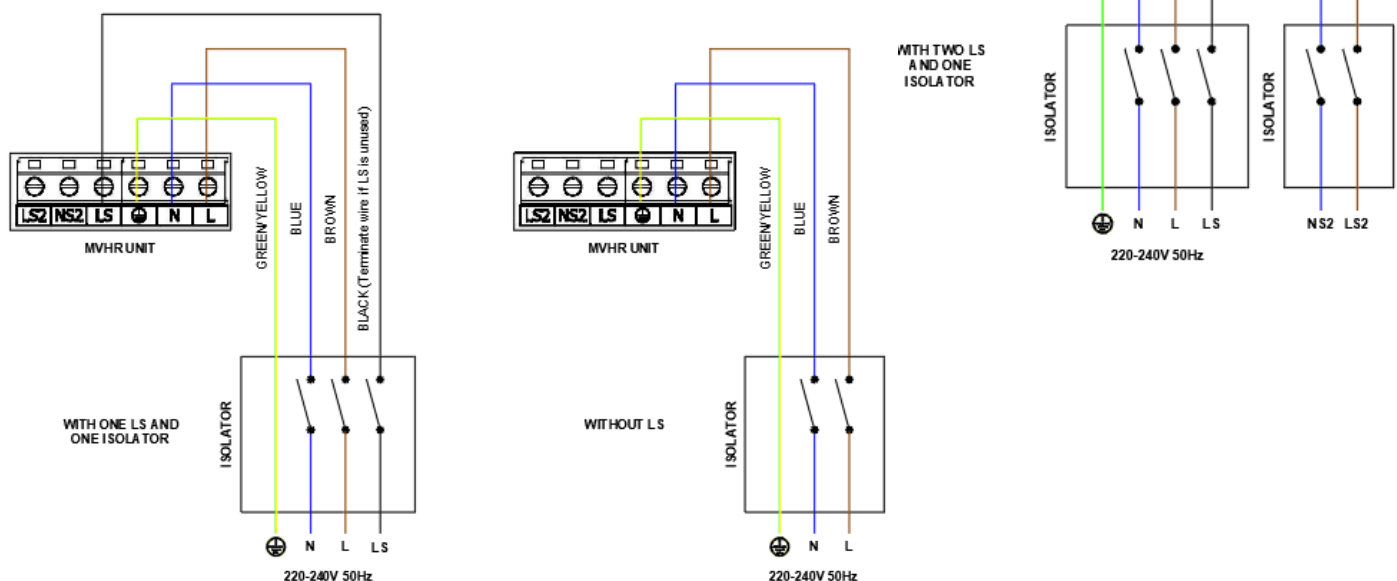
The switch fused spur needs to be 3Amp for non-Pre-heater models and 16Amp for Pre-heater models.

Connecting a Boost (Light) Switch

A Switched Live LS may be used to boost the airflow when a light is turned on, for instance in a bathroom or kitchen. (The unit can be switched to boost by applying 220-240V to the LS input).

If the LS core of the mains cable is not used it should be terminated in an appropriate manner.

The LS connection should only be used if the switch live is on the same circuit as the unit.



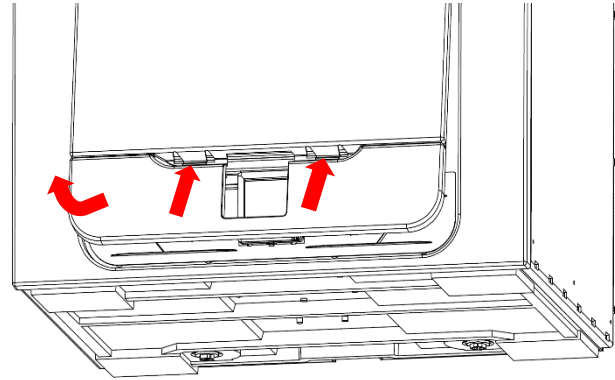
Accessing the Main PCBA



WARNING

ENSURE THE ELECTRICAL SUPPLY AND CONTROLS ARE ISOLATED FROM THE MAINS POWER SUPPLY BEFORE REMOVING ACCESS COVERS

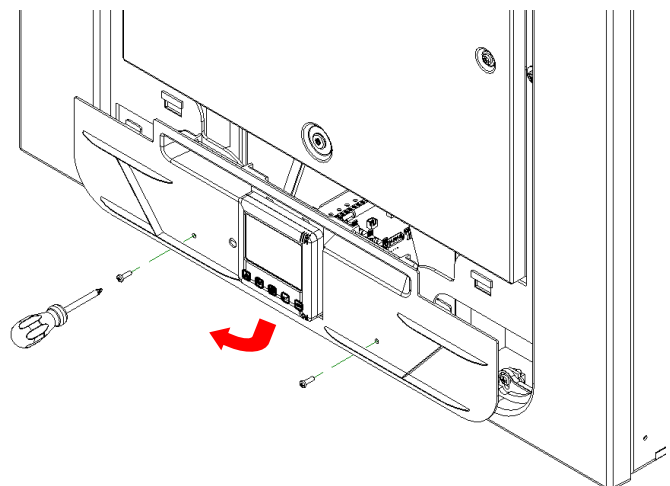
Step 1: Remove the front cover by pressing the tabs either side of the control module and lifting the cover outwards from the bottom edge.



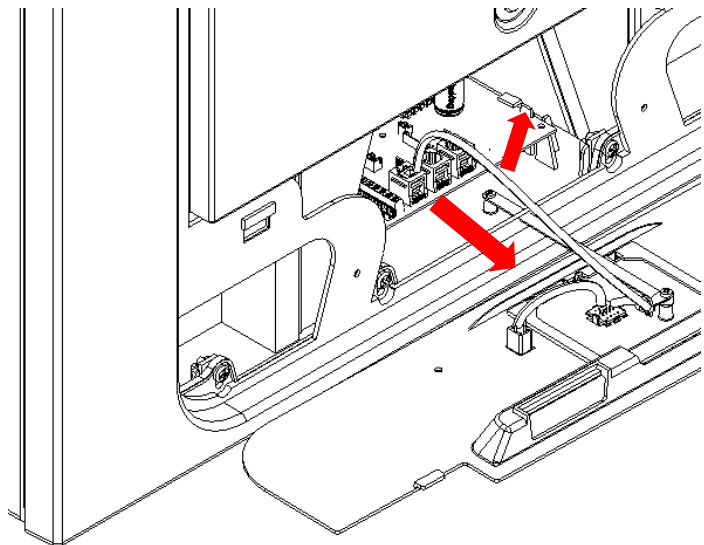
Step 2: Remove the two screws on either side of the access panel. Lift the panel outwards from the bottom edge to remove.

Note: The access panel is tethered to avoid cable strain.

Note: All printed circuit boards are ESD sensitive. Always ensure the correct ESD protection is used.



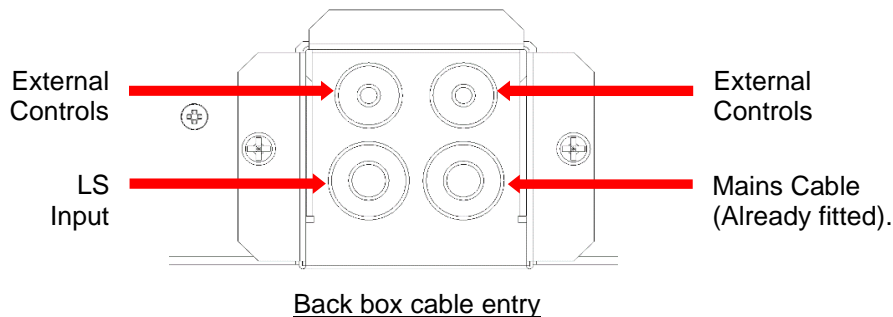
Step 3: Push the locking tab away from the printed circuit board and slide it outwards to access the terminals.



Connecting a Boost (Light) Switch from a different circuit, Controllers and Sensors

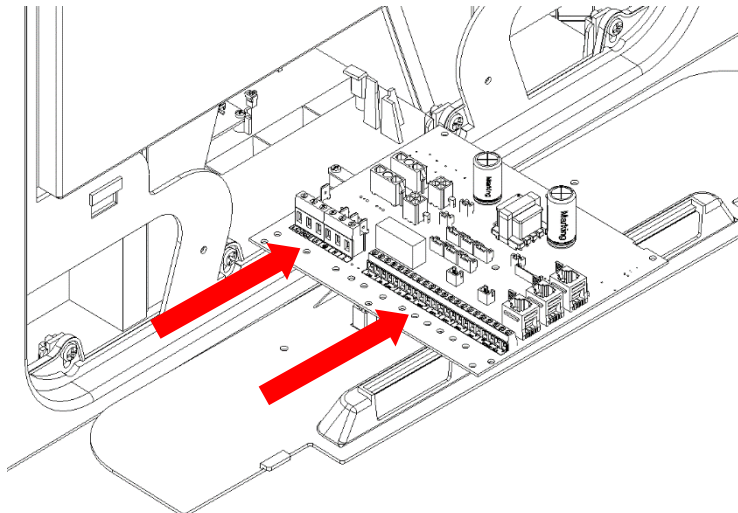
For good EMC engineering practice, any sensor, switched live or Volt free cables should not be installed within 50mm of other cables or in the same metal cable tray as other cables.

When fitting external controls, all cables should be routed through the back box on the rear of the unit, as shown below.

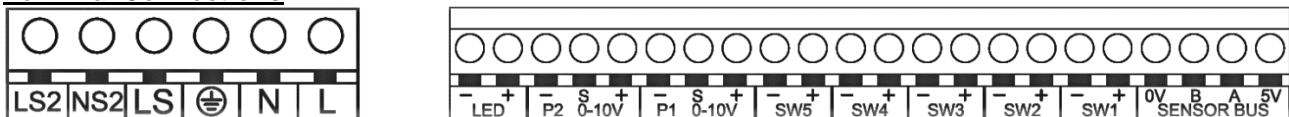


Connect any switches or sensors required to the unit via the terminal connections along the side of the main PCB, as shown below.

If necessary, contact your distributor regarding the wiring and fixing of accessories and sensors.



Terminal Connections

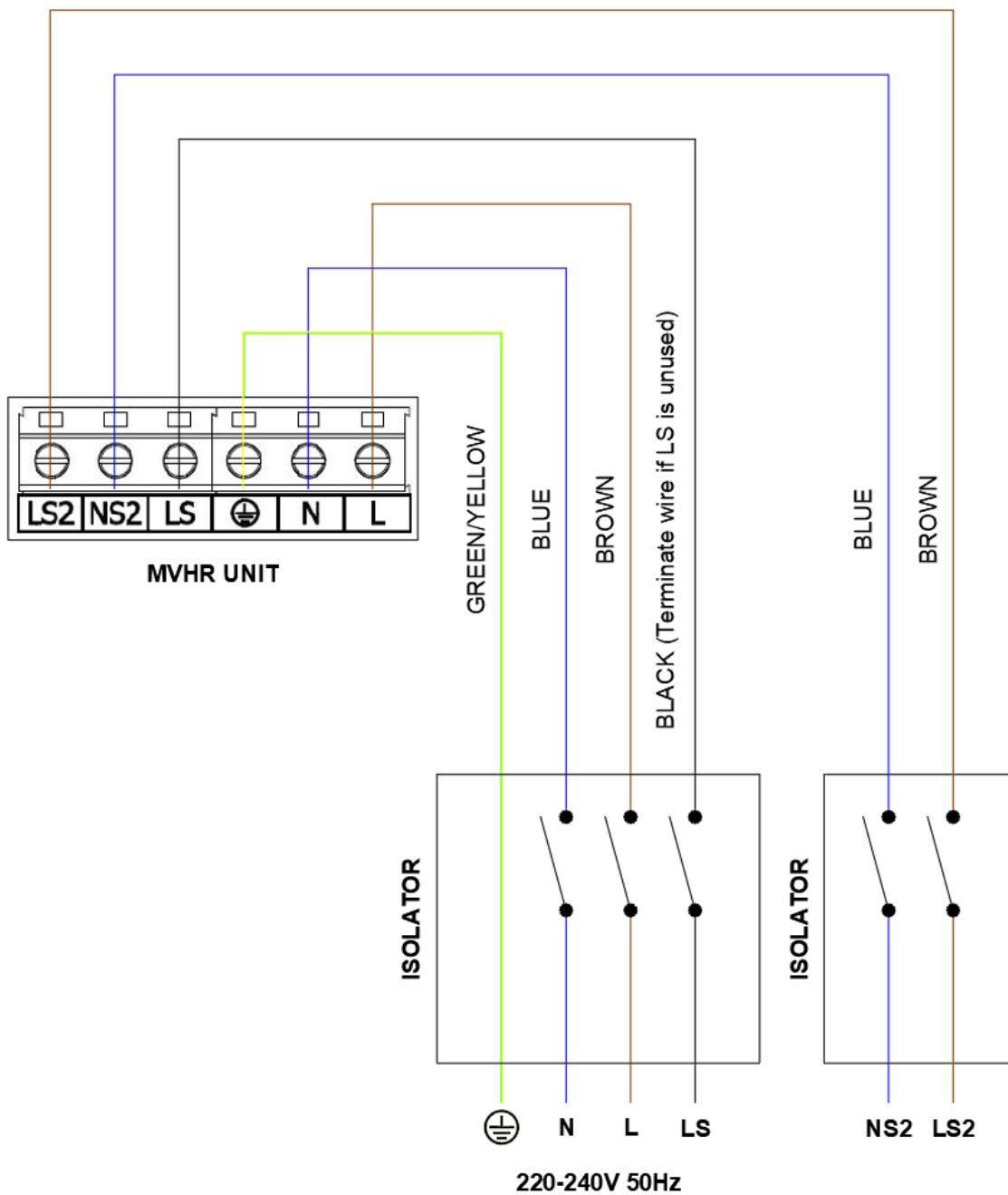


| Terminal No. | Name | Description |
|------------------|---------------------------------|---|
| LS2 | Switched Live 2 | 220-240 V AC, 50 Hz input |
| NS2 | Switched Neutral 2 | 220-240 V AC, 50 Hz input |
| LS | Switch Live | Switch Live (Common neutral with Mains Supply) |
| ⊕ EARTH | Mains Earth | Earth connector |
| N | Mains Neutral | 220-240 V AC, 50 Hz input |
| L | Mains Live | 220-240 V AC, 50 Hz input |
| LED | Red Light Emitting Diode Output | A LED driving signal output between the - and + terminals that enables remote indication of a unit fault. See the Control Panel for fault code (see on page 31). May also be used for a connection to a BMS or similar. |
| P2 -s+ P1 -s+ | 0-10V | 0-10V sensor input with 24V supply terminal |
| SW 1-5 | Switch 1 to 5 | Volt-free contact for sensor input between - and + terminals |
| 0V, B, A, 5V | Sensor Bus | RS485 Termination for remote wired sensors/Controller |

Connecting a Boost (Light) Switch from a different circuit

If the supply used for the Switched Live is on a different circuit to the power connections, the connections LS2 and NS2 should be used, via a separate isolator.

Please follow circuit diagram as shown.



Powering up the Unit

Switching On

To switch the unit on:

1. Switch on the power at the mains supply isolator feeding the unit.
2. Following switch-on, after initialisation (up to 2 minutes) the fan motors will start and the Control Unit will display the home screen.

N.B. If you are intending to carry out work or maintenance inside the unit, isolate the supply to the unit before removing any covers.

Switching Off

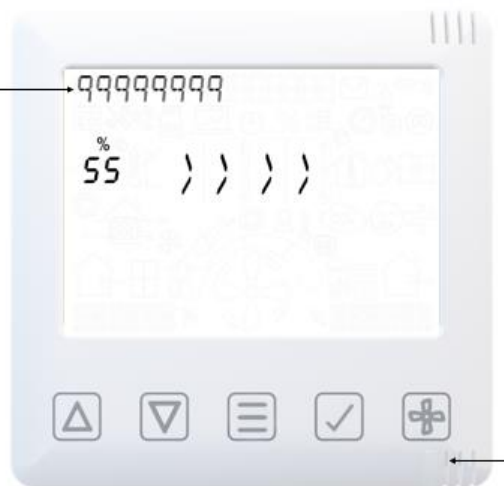
To switch the unit off:

1. Turn the power off at the mains supply isolator.

Initialisation/Loading Screen

Firmware version
 1 – HMI
 2 – Bluetooth & WiFi
 3 – PCB Main Board

The Initialisation
 can take 2 minutes
 to complete.



Primary Devices

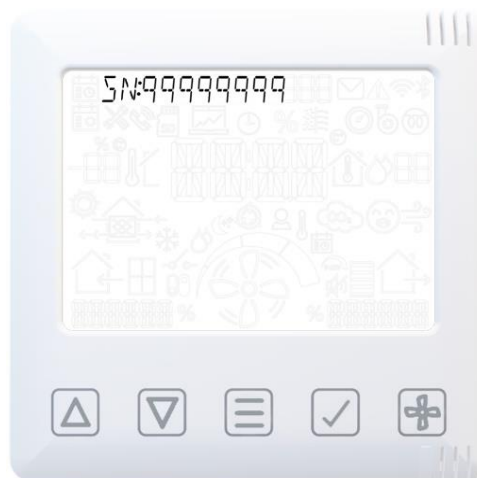
Idle White LED indicates primary HMI, this device supports Bluetooth/Wifi connection (see Smart Device Pairing)

Additional Devices (If purchased)

Idle Green LED indicates secondary HMI device, no Bluetooth/Wifi support. (Refer to Pairing Sensors)

Serial number on initialisation

Serial number displayed after initialisation is complete.



Overview

The instructions in this section are intended to provide configuration and operation information for setting up the equipment. In the event of problems, see Diagnosing a Problem on page 33.

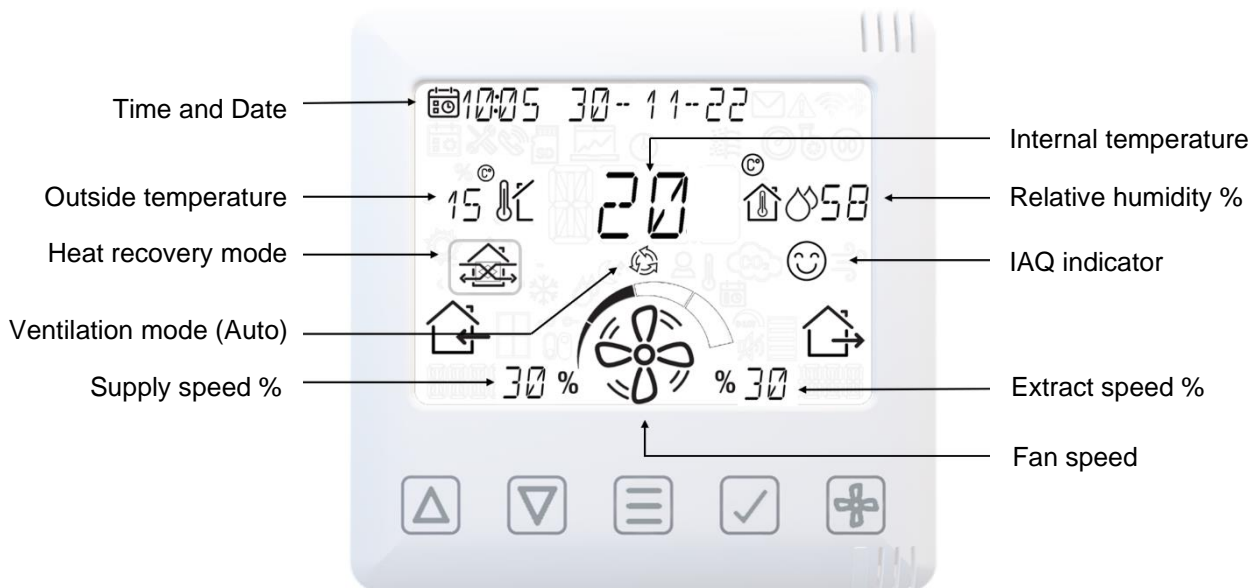
Follow good practice when commissioning the unit. Ensure that the system is installed according to the system designer's intent incorporating any acoustic ducting, that all joints are airtight, ducting is well supported, bends are avoided close to vents, and that the vent valves are fully open at the start of the commissioning process.

Commissioning of the unit should be done via the App. See page 17 for Smart Device Pairing.

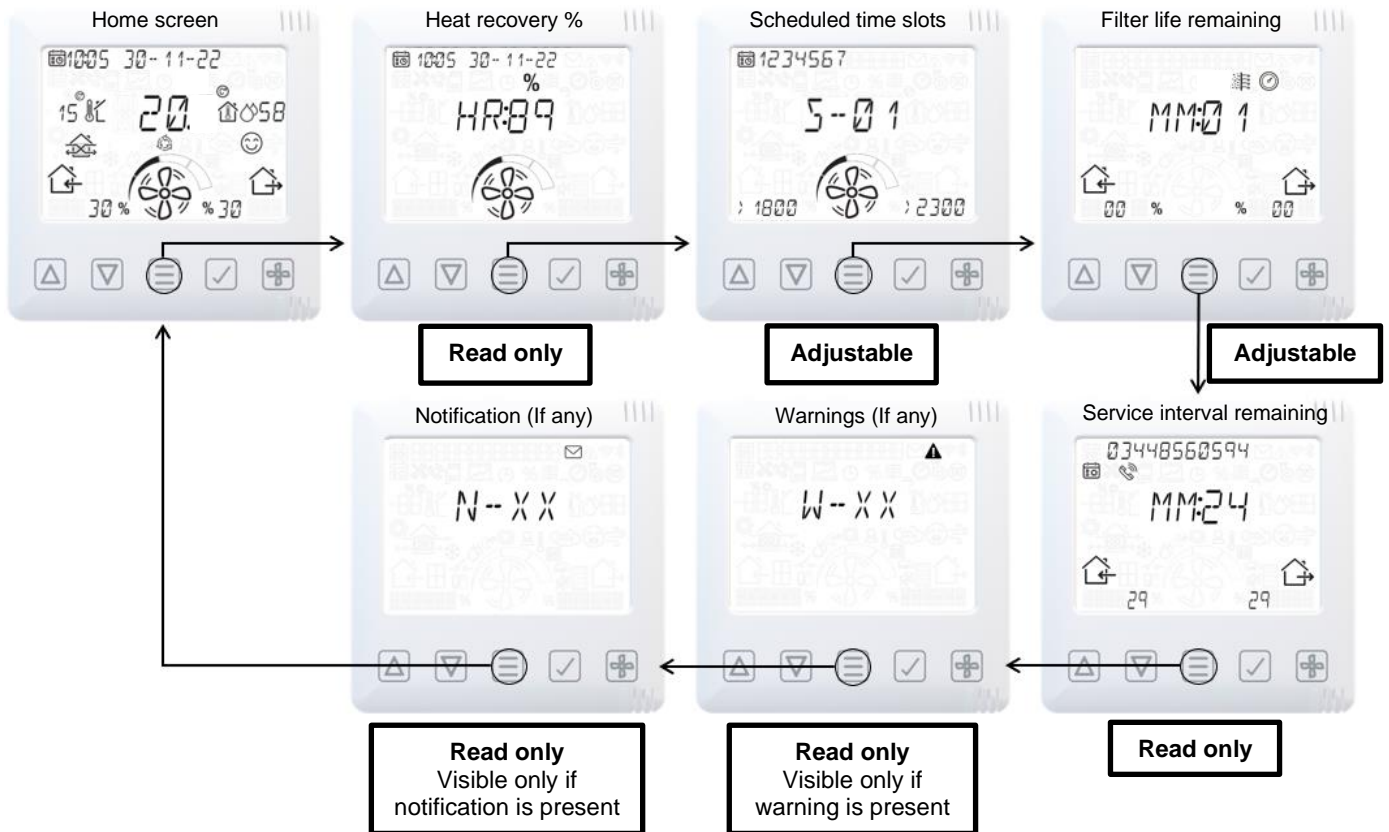


Note: We would recommend the latest firmware is installed via the firmware manager in the app (under menu "advanced settings"), on first connection.

Display overview – Home screen



Home User Menu



Display overview – Additional icons



Display overview – Mode indicators

Auto Mode

Humidity Override

Switch Override

LS Override

CO2 Override

User Override

Temperature Override

Schedule Override

0-10V Override

Silent Hours

Display overview – Indoor air quality monitor

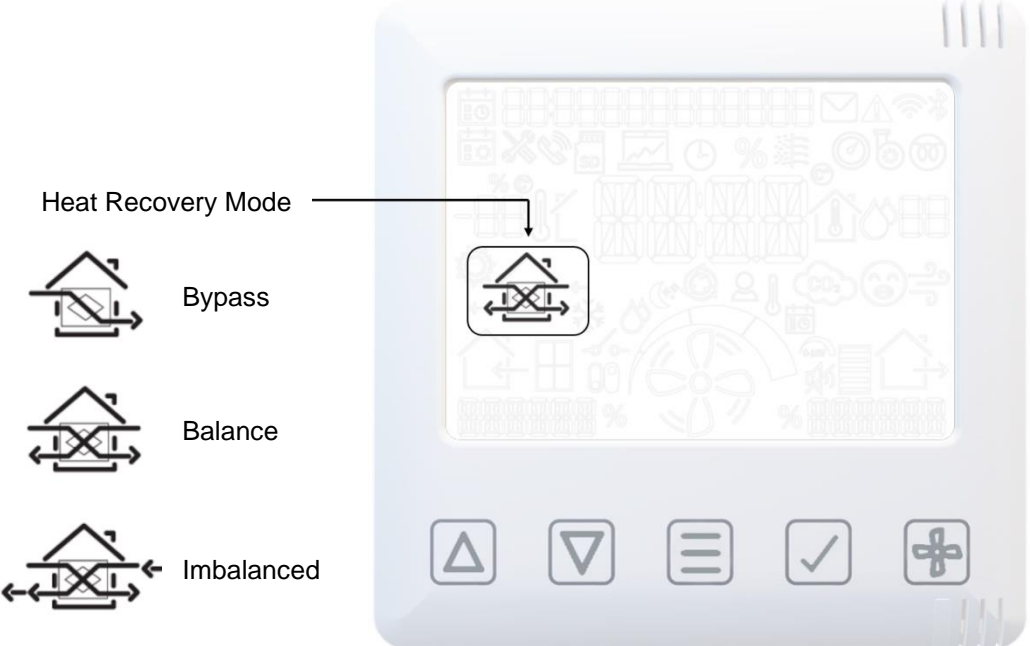
Air quality indicator uses sensor values that the unit supports:

- Relative humidity
- CO2 (if fitted)
- TVOC (if fitted)

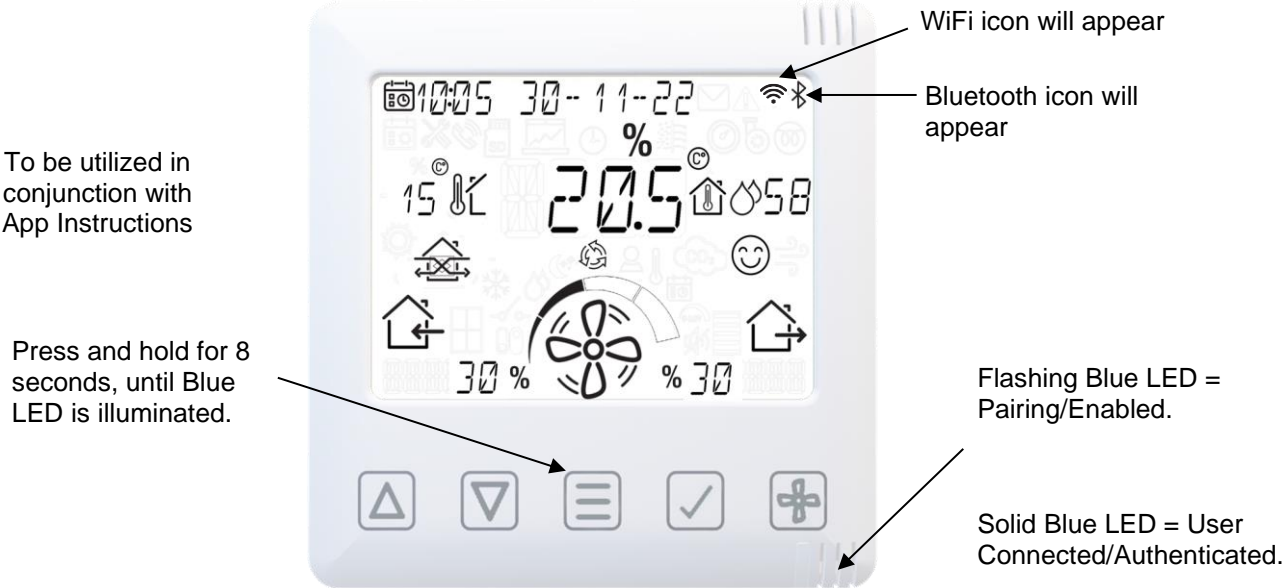
IAQ indicator

- No additional demand
- Proportional demand
- Full boost operation

Display overview – Heat Recovery mode



Smartphone Device Pairing and App download







The App allows the user instant access to commissioning, configuration, direct monitoring and control of the MVHR unit, using a smart phone or tablet with the **Vent-Axia Connect App**, available from the iTunes Store or on Google Play.



Pairing sensors

To pair the unit with a wired or wireless sensor:





- Press the **MENU**  button to turn on the display.
- Press and hold the **MENU**  button until the LED illuminates solid White.
- Release the **MENU**  button, the LED will flash White to indicate that it is in pairing mode. The unit will remain in pairing mode for 5 minutes, or until the **MENU**  button is pressed again.
- Activate the pairing function on the sensor to be paired (see the instructions that came with the sensor).
- When a sensor is paired the total number of paired devices is displayed on the unit.



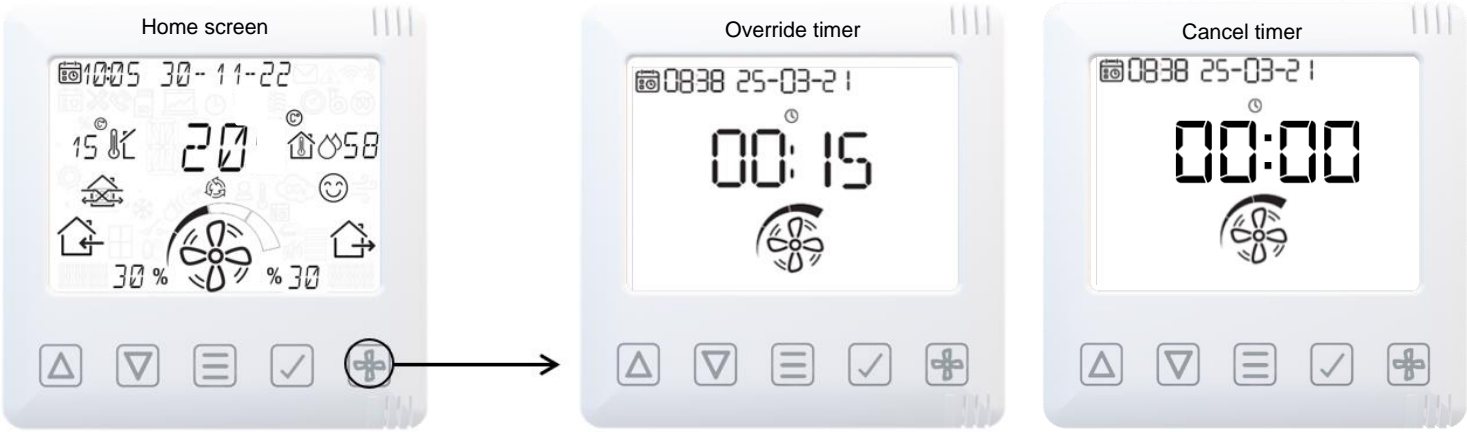
Note: Wired controls and sensors must be connected in a RS485 bus configuration. At the start and end of the bus system, the jumper (termination resistor) on the control board and sensor must be in the correct position. Refer to Sensor Manual.

Removing sensors





To remove paired sensors, the unit must be reset. Caution, this will reset all values back to factory default.

- Press the **MENU**  button to turn on the display.
- Press and hold the **MENU**  button until the LED illuminates solid Red.
- Release the **MENU**  button, the LED will stay Red.
- Pressing the **MENU**  button again will confirm the reset command. If a reset is not wanted, leave the unit until the command times out and the LED turns off.

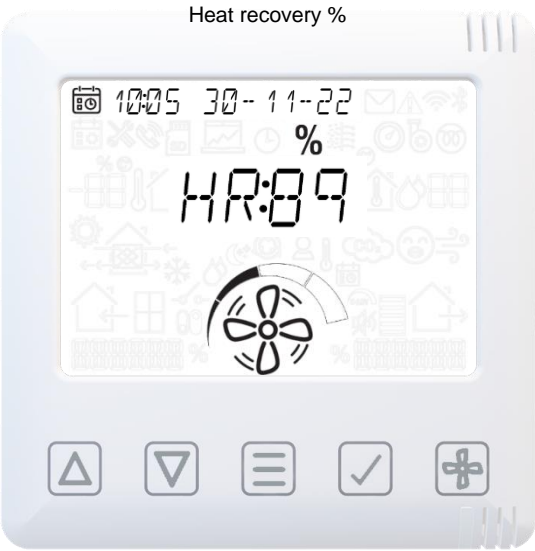
Speed override



To Cancel the Override timer, set the time to 00:00

-  Increase Timer
-  Decrease Timer
-  Change Fan Speed – Low, Normal, Boost, Purge
-  Confirm Timer

Heat recovery



Heat Recovered information
(in Percentage Approximate)

Schedule

Day 1 → 1234567
 =
 1,2,3,4,5 are week days
 6,7 are weekend days
 1,2,3,4,5,6,7 are week days and weekends

Start Time → 1800

Finish Time → 2300

Fan Speed
 1 Bar = Low
 2 Bar = Normal
 3 Bar = Boost
 4 Bar = Purge

Press 2 x from Home Screen to enter scheduling.
 Enter edit mode/Confirm Selection.
 Move between existing schedules and adjust schedule times/days in edit mode.
 Change Fan Speed – Low, Normal, Boost, Purge when flashing.

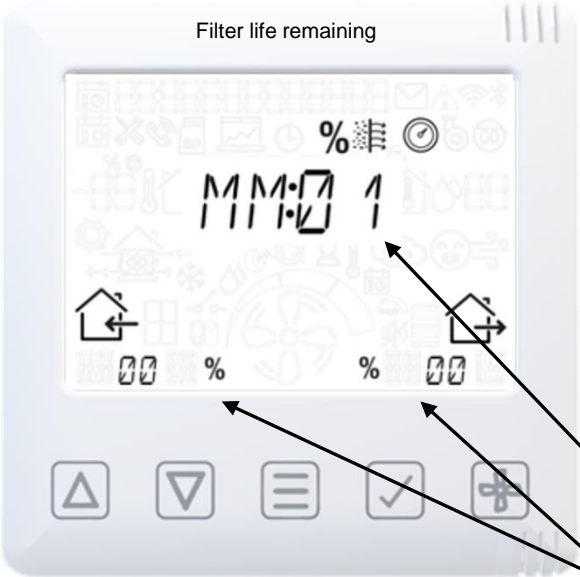
Silent hours Mode





✓ Silent Mode Enabled
 (Don't allow Boost and Purge)

✗ Silent Mode Disabled

🔊 Silent hours

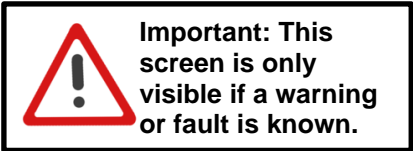
Filter reset



-  Press 3 x from Home Screen to enter filter screen.
-   Change service duration for filters: 3, 6 or 12 months.
-  Enter Reset/Confirm Selection.
- Months remaining, will indicate when filters need replacing/cleaning.
- Models with filter pressure sensors fitted, filter life is indicated by % block values.

Warning Screen

Please see Page 33 for warning codes

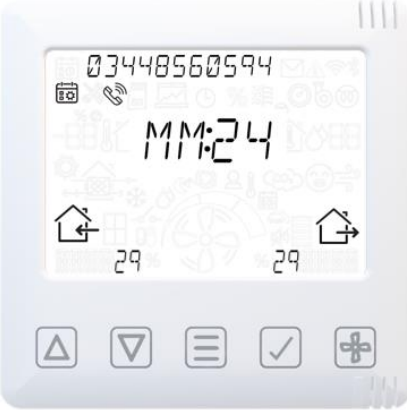
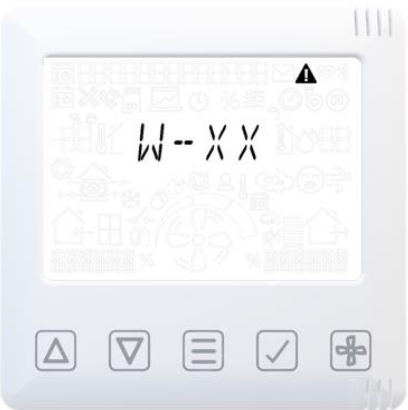


Service Interval Remaining

Month remaining before service is due.

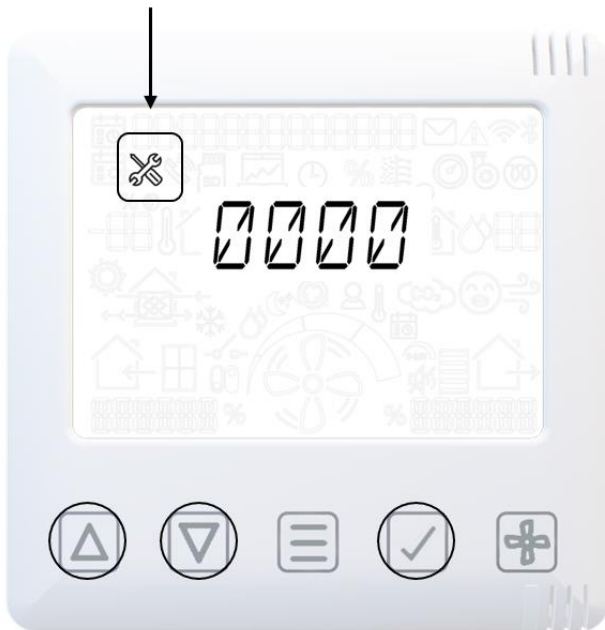
Notifications if any




Please see Page 33 for warning codes



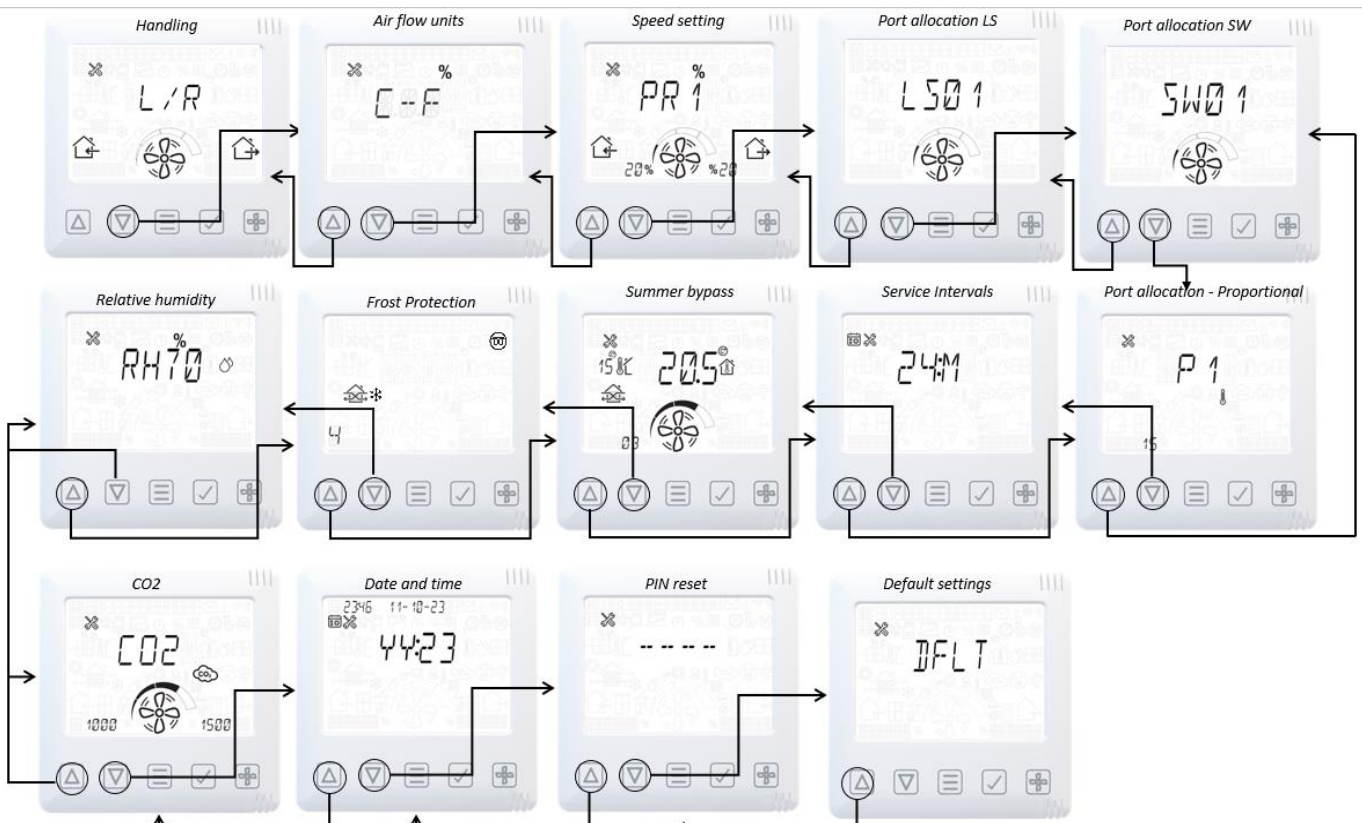
Engineer menu


Engineering mode



-  Press and hold for 3 seconds to exit or enter the Engineer Menu.
-  Use up and down to adjust each pin number and press  to confirm each number and enter Engineer settings.

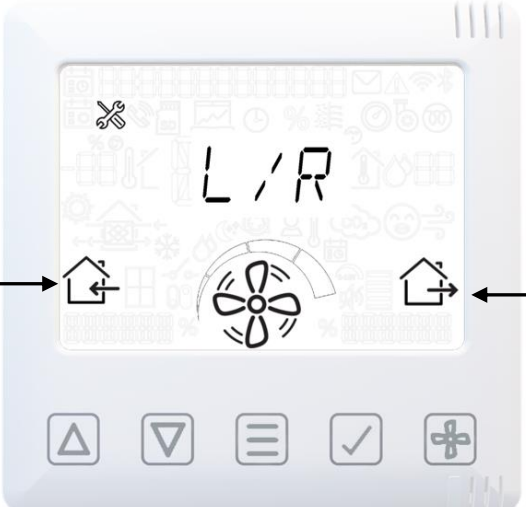
Engineer Overview



 **Important: "Air flow units" is only visible on Constant volume models and "CO2" is only visible when using models with a built-in CO2 sensor.**

Engineer menu – Unit handing

Please see page 4 for details of handing.




- Enter Menu/Confirm Selection
- Left Handed = L
- Right Handed = R



Note: MVHR with Left-Hand and Right-Hand spigot configuration. Units with a preheater are preconfigured from the factory and the handing cannot be changed.

Engineer menu – Airflow units

User can select preferred airflow units.







- Enter Menu/Confirm Selection
- Alternate measures
L/S M³/H 000

This is only visible and used on Constant volume models.

Engineer menu – Airflow speed setting

% will be displayed as l/s for Constant volume models.



-  Select PR1-4
-  Enter/Confirm Selection
-  Adjust flow rate as % pr l/s
- 

PR1 = Low Speed 20%
Default



PR2 = Normal Speed 40%
Default



PR3 = Boost Speed 70%
Default

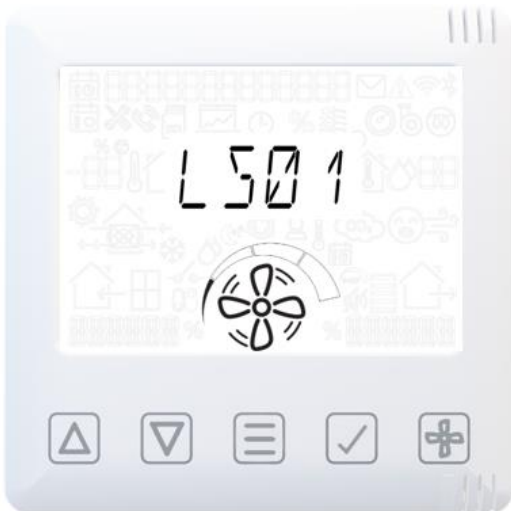



PR4 = Purge Speed 100%
Default




MVHR unit will run at speed indicated on this screen to aid commissioning.


Engineer menu – Port allocation LS



-  Change Fan Speed – Low, Normal, Boost, Purge



-  Enter/Confirm Selection

-  Change Port for Live Switch LS01 or LS02

Other switch modes are available when configured through the App.

Engineer menu – Port allocation



Change Fan Speed – Low, Normal, Boost, Purge



Enter/Confirm Selection



Change Port Switch SW01 to SW05 or LS1 & NS2

Engineer menu – Proportional Inputs



Press Once for Zonal Selection



Press twice for Control method Selection



Change Proportional Control P1 or P2



Change Zonal Control 1-16

Or



Control Method Temperature,
Humidity, 0-10V, CO2

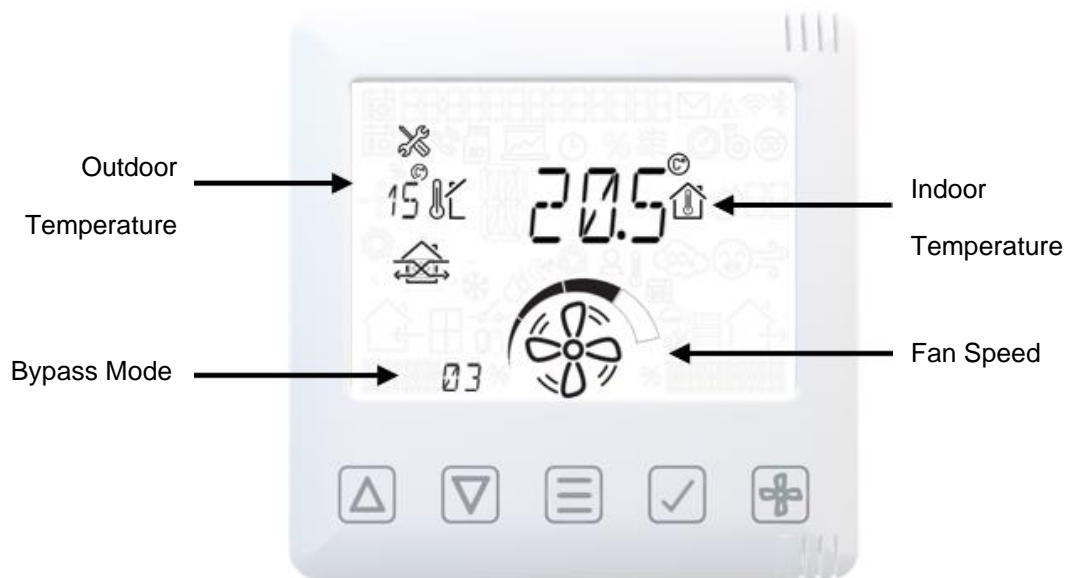


Note: More configuration options available in the App at advanced settings menu, see on page 17.

Engineer menu – Service Intervals



Engineer menu – Summer bypass



- Press 1 x for Bypass Mode
 - 00 = Disabled (not recommended)
 - 01 = Normal Bypass
 - 02 = Evening Fresh
 - 03 = Night Time Fresh
 - 04 = Modulated Normal Bypass
 - 05 = Modulated Evening Fresh
 - 06 = Modulated Night Time Fresh
 - See page 38 for details

- Press 2 x for Indoor Temperature
- Press 3 x for Outdoor Temperature
- Press 4 x for return to main menu

- Change field up/down

- Change Fan Speed - Low, Normal, Boost, Purge



Engineer menu – Humidity



- Enter/Confirm Selection
- Change Relative Humidity between 50-90%
- 70% Default

Rapid rise can be Enabled/Disabled via the App. Along with Ambient response/overrun times.

Engineer menu – Frost Protection mode

Frost Protection Mode

- ① Imbalanced Airflow
- ② Bypass
- ③ Balanced Pre-Heater
- ④ Imbalanced Pre-Heater

Heater Activated

- Enter Menu/Confirm Selection
- Alternate Modes
-

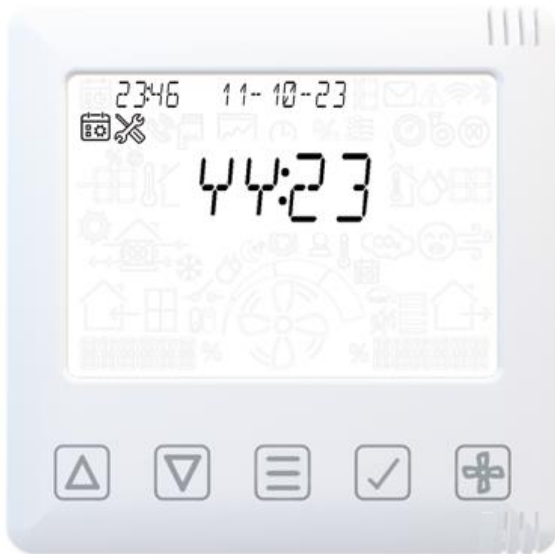
Engineer menu – CO2 threshold

This is only visible when the CO2 sensor is installed.



- Enter/Confirm Selection
 - Change Fan Speed - low, normal, boost, purge
-
- Change CO2 PPM Threshold 1000-2000 Default
 -

Engineer menu – Date / Time



Enter/Confirm Selection

Change entry within below field.

YY = Year
 MM = Month
 DD = Day
 HH = Hour
 MM = Minutes

Engineer menu – PIN Change



Enter/Confirm Selection

Change Pin Number 1-9

Engineer menu – Resets unit to factory defaults (including Handing & Commissioning values) , Retains pairing with HMI and Sensors



Scroll down to Default screen.

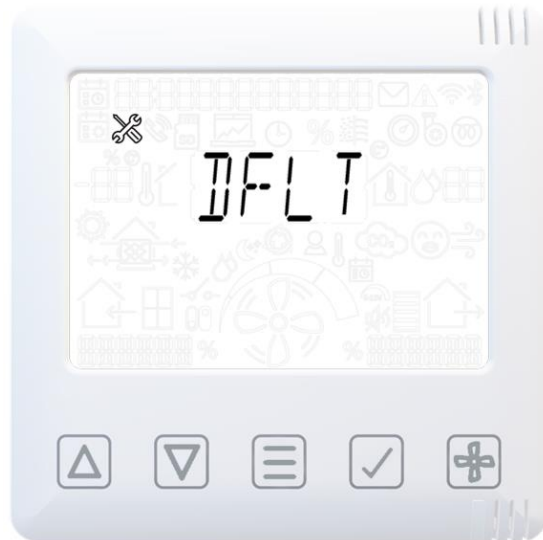
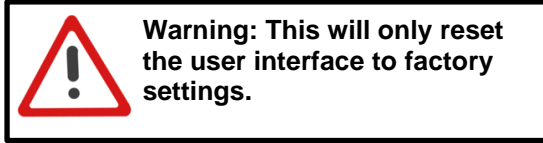
Press TICK button, a cross (✕) will then be displayed on screen.

Press the up arrow to change the on screen cross (✕) to a tick (✓).

Press the TICK button to confirm.

Motors will stop and mainboard will reset, HMI will remain powered.

HMI - Reset HMI and Mainboard pairing



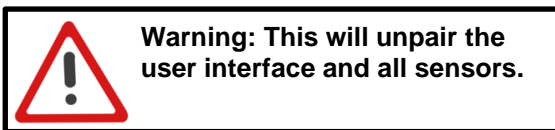
Push and hold MENU button for 13 seconds until status LED is flashing Red.

To reset press the MENU button to confirm, the LED will stop flashing.

Both HMI and Mainboard will restart and MVHR will be displayed on the HMI.

Power cycle the unit initiate pairing.

HMI – Reset HMI to factory defaults including its pairing – Mainboard not affected



Press and hold MENU button for 13 seconds until status LED is flashing Red.



To reset press the TICK button to confirm, the LED will stop flashing.

Both HMI and Mainboard will restart and MVHR will be displayed on the HMI.

Power cycle the unit initiate pairing.

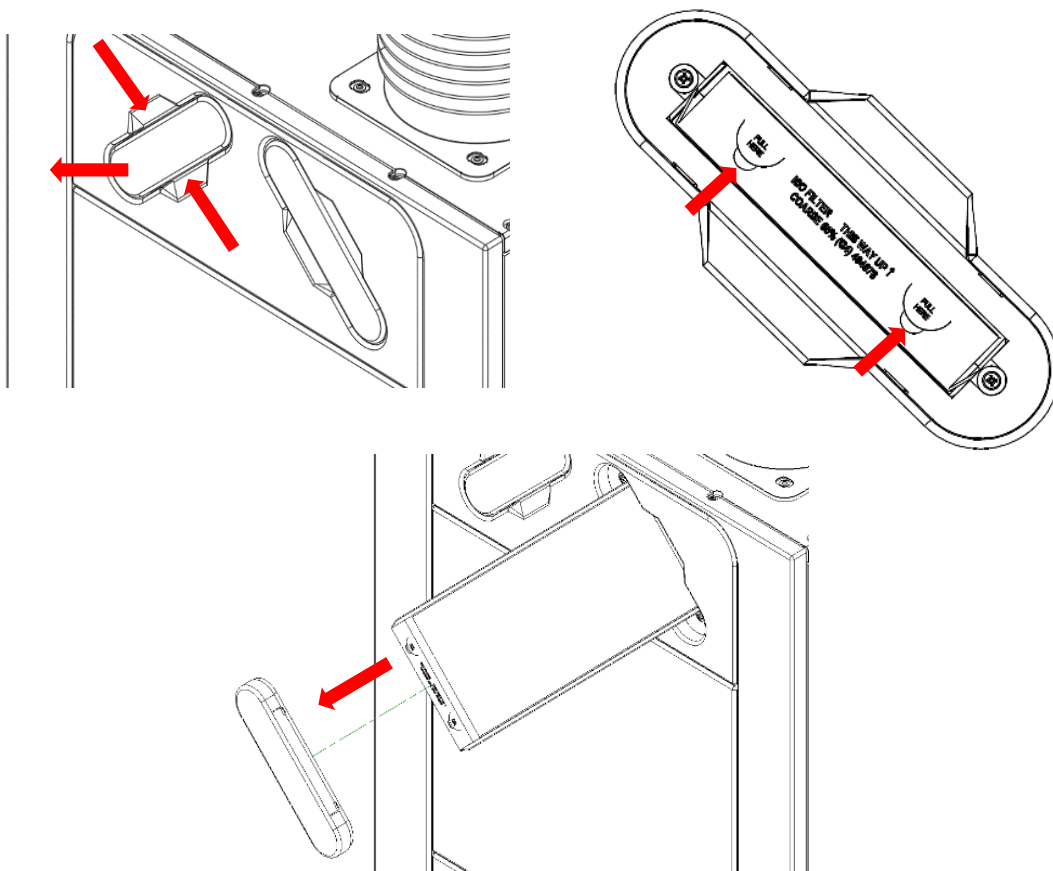
Filter Maintenance

Heat recovery units require regular maintenance. The Econiq range has been designed to allow easy access to filters with no tooling required.

When the unit displays a warning symbol and warning code: W-12 filter cleaning/replacement is overdue. When it displays notification N-1 the filter may need cleaning/replacement within the next month.

This is a reminder to ensure that the filters are not so dirty that they are blocking the airflow or allowing dirt to pass through. The rate at which the filters become dirty will vary hugely depending on the environment and the activity within the property. See page 30 for a list of spare filters.

1. Open the filter covers by pressing with 2 fingers, inwards and pulling the filter cover off.
2. Pull each filter out by the 2 filter tabs.



3. Clean gently by tapping or carefully using a vacuum cleaner if necessary.
4. Replace the filters into the unit.
5. Replace filter covers, ensuring they have clicked back into the locked position.
6. After maintenance of the filters, the filter timer can be reset via the controller (see page 19).

Periodic Maintenance

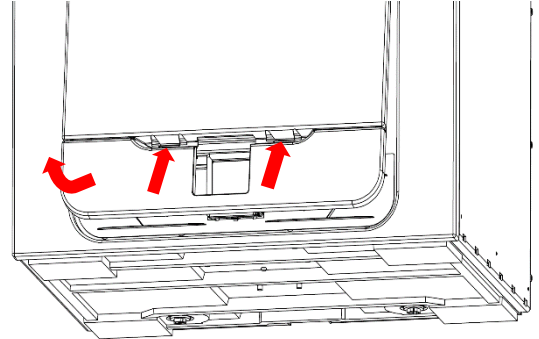


WARNING

THE FAN AND ANCILLARY CONTROL EQUIPMENT MUST BE ISOLATED FROM THE POWER SUPPLY DURING MAINTENANCE.

Heat Exchanger Cell

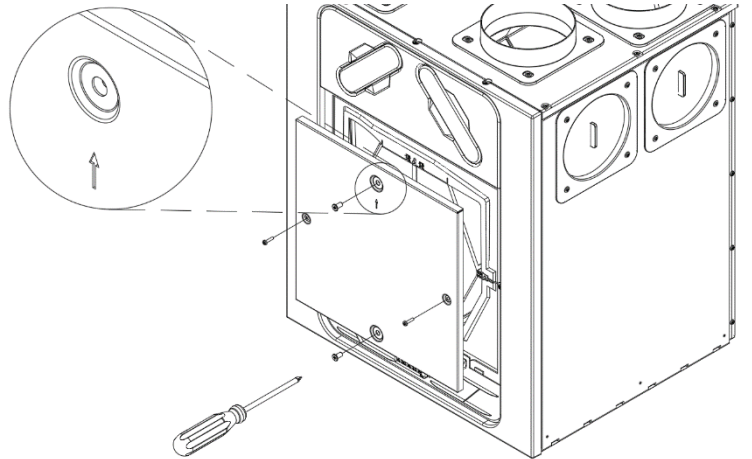
Step 1: Remove the outer cover by pressing the tabs either side of the control module and lifting the cover outwards from the bottom edge.



Step 2: Remove the inner door by undoing the 4 retaining screws.



Note: (When fitting inner door back to the unit, make sure the arrow is in the up position shown).

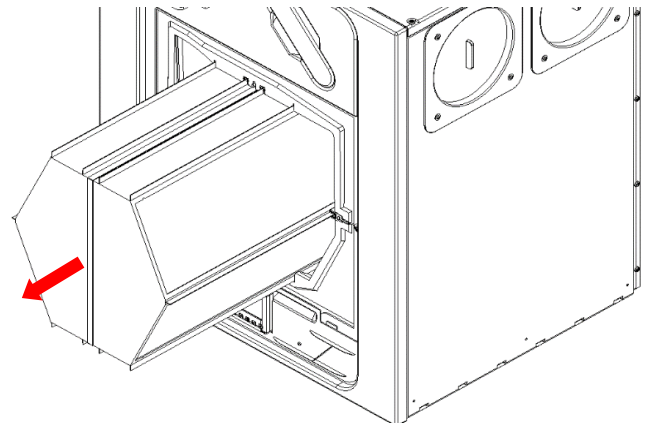


Step 3: Slide the heat exchanger out from the unit. (If cell is stiff to pull out of unit, pull cell strap from top, then from the bottom).



Warning: Sharp edges on cell ribs. Keep hands away from corners & wear gloves.

Step 4: Wash the outer cover and heat exchanger in warm water using a mild detergent (such as Milton Fluid) and dry thoroughly.



NOTE: Keep water away from all electrical components and wiring within the unit.

Motors

Inspect the motors for build-up of dust and dirt on the impeller blades, which could cause imbalance and increased noise levels. Vacuum or clean if necessary.

Condensate Drain

Check the condensate drain tube is secure and clear of debris. Clean if necessary. Ensure the trap is filled to the appropriate level of water if using a wet trap.

Fastenings

Check that all unit and wall-mount fastenings are sufficiently tight and have not become loose. Re-tighten if necessary.

Spares

The following spare parts may be ordered from Vent-Axia:

| Part No | Description |
|---------|--|
| ?????? | Main PCBA – Contact Technical Support |
| 411622 | Control Module (HMI Controller with Display & with RF) |
| 411703 | Control Module (HMI Controller without Display & with RF) |
| 413741 | Control Module (HMI Controller without Display & without RF) |
| 411690 | Filters G4, 2 per pack |
| 411691 | Filters M5, 1 per pack |
| 411692 | Filters F7, 1 per pack |
| 411694 | Motor Scroll Assembly - M |
| 411695 | Motor Scroll Assembly - L |
| 411693 | Cell Flap Actuator Summer Bypass Assembly |
| 411765 | Summer Bypass Passage Assembly |
| 411696 | Temperature Sensors T2 & T4 (Red & Brown) |
| 411698 | Temperature/Humidity Sensors T1 & T3 (Green & Yellow) |
| 411707 | CO2 Temperature/Humidity Sensor T3 (Yellow) |
| 411709 | CO2 Temperature/Humidity Sensor T1 (Green) |
| 411701 | PCBA Pressure Sensor Twin |
| 411702 | Wall Bracket |
| 411704 | Condensate Drain Cap & Adaptor |
| 411705 | Spigot Adaptor 200mm |
| 411889 | Spigot Blank with Foam |

Diagnosing a Problem

In the event of a problem, always troubleshoot the unit according to:

- **Notification code** displayed on the control unit.
A notification flag indicates service/maintenance will be due soon.
- **Warning code** displayed on the control unit.
A warning code is advisory and will not immediately stop the function of the unit.
- **Fault code** displayed on the Control Unit.
The unit may have stopped functioning due to the fault.
- **Fault LED** if connected.

Service/Fault Codes

For assistance contact the service provider and quote the fault code number and the product serial number which can be found behind the front cover.

Note that the fault code is not displayed until the fault has been present for 3 minutes.

| Fault Codes | |
|-------------|---------------------|
| ID | Cause |
| F-1 | Intake Temperature |
| F-2 | Extract Temperature |
| F-3 | Supply Fan |
| F-4 | Extract Fan |
| F-8 | Room Too cold |
| F-32 | HMI Comms Lost |

| Warning Codes | |
|---------------|------------------------|
| ID | Cause |
| W-1 | Supply temperature |
| W-2 | Exhaust temperature |
| W-3 | Preheated temperature |
| W-4 | Intake RH |
| W-5 | Extract RH |
| W-6 | Supply flow |
| W-7 | Extract flow |
| W-8 | Filter sensor 1 |
| W-9 | Filter sensor 2 |
| W-10 | System over-pressure |
| W-11 | Preheater tripped |
| W-12 | Filter clean overdue |
| W-13 | Service overdue |
| W-14 | Zirconia device lost |
| W-15 | BMS offline |
| W-16 | Supply fan Modbus |
| W-17 | Extract fan Modbus |
| W-18 | Bypass/cell efficiency |
| W-19 | Preheater IO offline |
| W-20 | Cooling Unit offline |

| Notification Codes | |
|--------------------|-------------------------------|
| ID | Cause |
| N-1 | Filter Clean/Replace due soon |
| N-2 | Service due Soon |
| N-3 | Device Offline |

There may be new fault codes not listed here, please ensure that you always review the latest F&W available on our website under the product page and downloads.

Power on Self-Test

The LED blinks RED for 'X' times, based on the error bit flag that is set.
e.g. "Storage" 3x flash – Pause – 3x flash.....

MVHR (HMI)

| Self-Test Failures | |
|--------------------|--|
| Flash | HMI |
| 1 | RNG - Random Number Generator (RNG) peripheral has failed as part of self-test routine |
| 2 | Flash - DS-45DB081E flash chip initialisation failed |
| 3 | Storage – Error with Read/Write access to flash |
| 4 | HMI – Initialisation for UC1677LCD (LCD driver) failed |
| 5 | CapSense – Error with initialisation of CAP1298 |
| 6 | SHT3x – Sensor Initialisation failed |
| 7 | ESP32 – No response the Sync event as part of self-test |
| 8 | RF868 – Core 2 not initialized, or Auto Tune has failed (Auto tune yet to be added) |
| 9 | Applnit- Error with respect to Initialisation of Application modules |

MVHR (Mainboard)

| Self-Test Failures | |
|--------------------|--|
| Flash | Mainboard |
| 1 | RNG - Random Number Generator (RNG) peripheral has failed as part of self-test routine |
| 2 | RTC – RTC initialisation failed |
| 3 | <i>Eeprom(reserved) – not used for now</i> |
| 4 | Flash – DS-45DB081E flash chip initialisation failed |
| 5 | Storage – Error with Read/Write access to flash |
| 6 | External RAM – FM24V01A RAM Chip Initialisation failed |
| 7 | Ventilation Engine – Ventilation Engine not initialised |
| 8 | Applnit- Error with respect to Initialisation of Application modules |
| 9 | Modbus – Modbus intialisation failure |

Accessories

| Part No | Description |
|----------------|--|
| 496429 | Temp/RH Wired & Wireless RS485 & RF868 |
| 496431 | Temp/RH Battery Powered |
| 496433 | CO2 +Temp & RH Wired & Wireless |
| 496438 | PIR Wired & Wireless |
| 496437 | SSU Speed Switch 4-WAY Battery, Wireless (White) |
| 497689 | SSU Speed Switch 4-WAY Battery, Wireless (Black) |
| 496620 | SSU Speed Switch 4-WAY Mains, Wireless (White) |
| 497693 | SSU Speed Switch 4-WAY Mains, Wireless (Black) |
| 496621 | SSU Speed Switch 4-WAY Mains, Wired (White) |
| 497697 | SSU Speed Switch 4-WAY Mains, Wired (Black) |
| 411628 | Wall-Mounting HMI Kit |
| 411704 | Condensate drain |
| 448356 | Remote LED indicator and lead |

Flow Rate Settings

The Unit has four user defined speeds which are adjustable in the engineer menu or via the App. The default speed names are also customisable via the App.

Default speed modes names: -

- Low
- Normal (Unit default operating mode)
- Boost
- Purge

Frost Protection



Frost Protection is required to prevent condensate freezing in the heat exchanger at low temperatures. The process is fully automatic. The method used for frost protection will depend on the model and building it is installed in. *For more details refer to the Page 27 on this manual.*

For buildings with a leak rate of 3m³/hr or less (at 50Pa), a balanced frost protection mode must be used. A balanced mode must also be used when a combustion device without a dedicated air supply is present.



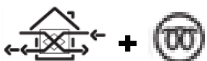
Airflow (Imbalanced)

Airflow mode reduces the Intake flow and increases the Extract flow in varying proportions dependent on the incoming air temperature. The unit will continue to recover heat as low as “-20°C”. At this point, the unit switches to 'Extract Only' mode.



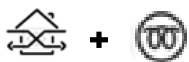
Bypass (Balanced)

Bypass mode opens the Summer Bypass and stops recovering heat until the external temperature increases sufficiently.



Airflow & Preheater (Imbalanced)

If a preheater is fitted, the preheater will turn on to warm the incoming air to prevent freezing. If the air temperature is so low that the heater cannot warm the air sufficiently, the supply flow rate will be reduced to compensate.



Airflow & Preheater (Balanced)

If a preheater is fitted, the preheater will turn on to warm the incoming air to prevent freezing. If the air temperature is so low that the heater cannot warm the air sufficiently, both the supply and extract flow rate will be reduced to compensate.

Summer Bypass Mode

The MVHR includes an intelligent Summer Bypass (SBP) feature, this bypasses the heat exchanger when necessary to provide free cooling, this is triggered when the desired Indoor Temperature is above the ambient temperature.

Note that the volume of air provided by a ventilation system is a fraction of that required for space heating or space cooling and will not in itself be sufficient to cool a room. It will however provide a contribution.

Modes of operation

| Bypass Mode | Operation |
|---------------------------------|---|
| 00 : Off | Summer Bypass feature is disabled, Bypass will be active during Anti-frost |
| 01 : Normal | When active the unit will run on Normal speed, unless cancelled |
| 02 : Evening Fresh | When active the unit will run on the user selected speed for 5-hours before reverting to Normal, unless cancelled |
| 03 : Night-Time Fresh* | When active the unit will run at the user selected speed, unless cancelled |
| 04 : Modulated Normal | When active the unit will run on Modulated Normal speed, unless cancelled |
| 05 : Modulated Evening Fresh | When active the unit will run on the user selected speed for 5-hours before reverting to Modulated Normal, unless cancelled |
| 06 : Modulated Night-Time Fresh | When active the unit will run at the user selected speed, unless cancelled |

Bypass mode will operate when both the Indoor and Outdoor temperature thresholds are exceeded, and the outdoor temperature is below the indoor temperature.

Mode 1 to 3 when active will operate at 100% Bypass of the heat recovery cell.

Mode 4 to 6 when active will operate at approximately 50% Bypass of the heat recovery cell, this allows partial heat recovery during colder periods.

Indoor Temp: This is the maximum desired indoor temperature. Above the set indoor temperature, the summer bypass will operate.

Indoor temp should be set, 2-3°C higher than the central heating thermostat to prevent the bypass operating in winter, and 2-3°C lower than any air conditioning thermostat if fitted.

Outdoor Temp: This is the minimum allowed outdoor air temperature. The air temperature must be above this value for the Bypass to operate, use this value to prevent the bypass operating in winter.

The suggested Outdoor Temp, is 14°C, set as appropriate for your region.

Bypass mode will be cancelled when either:

- The internal air temperature drops below the Indoor Temp threshold, or
- The external air temperature drops below the Outdoor Temp threshold

It is recommended that the user selected mode chosen for Evening Fresh and Night-Time Fresh is higher than Normal flow rate to reduce the indoor temperature more rapidly.

*Night-Time Fresh Mode is intended for use through the night when cooling is a higher priority than any increase of noise. Note, that the air noise in your system is influenced by flowrate, ducting design, layout and the size and type of vents used in the rooms. If improvements are required, please contact your installer.

Input Ports allocation menu

Inputs are allocated to zone 0 by default.

Continuous

Continuous menu is used with a rocker switch or Relay, mains (LSx) or Dry Contact (voltage free) (SWx).

- Delay timer - delays the action after the user first operation, (by default closing the switch).
- Overrun timer - continues for the selected time on the preset speed selected, after the rocker switch is operated second time(by default turned off).
- Polarity, changes from the default Normally Open to Normally Closed operation.
- Comfort mode - delays the ventilation unit changing to the preset speed selected (BOOST by default) after the input has been activated for the Overrun time set, to reduce noise and cold drafts while bathing.

With Comfort Mode enabled, activation of the input are as follows:

1. If the input is deactivated within 3 minutes no change will occur.
2. If the input is deactivated between 3-20 minutes, the ventilation unit will change to the selected preset speed with duration of [Overrun] + [Time input was active] minutes.
3. If the input is active for over the [Delay time] minutes, the ventilation unit will change to the selected preset speed; when the input is eventually deactivated, the ventilation unit will continue on the selected preset speed for [Overrun] + [Boost Delay] minutes.

Momentary

Momentary menu is used with a retractive switch type (Push Button) or non-latching pull cord switch, mains (LSx) or Dry Contact (voltage free) (SWx).

- Overrun timer - continues for the selected time on the preset speed selected, after the switch is operated.
- Second operation will cancel and return to Normal (default) speed preselected.

PIR

PIR is used with a Presence detection sensor, mains (LSx) or Dry Contact (voltage free) (SWx).

- Overrun timer - continues for the selected time, on the preset speed selected, after the presence detected. If during the Overrun time a new presence is detected, the Overrun timer will restart.

Fire Alarm

Fire Alarm is used with a Fire alarm Normally Closed Relay contact, mains (LSx) or Dry Contact (voltage free) (SWx).

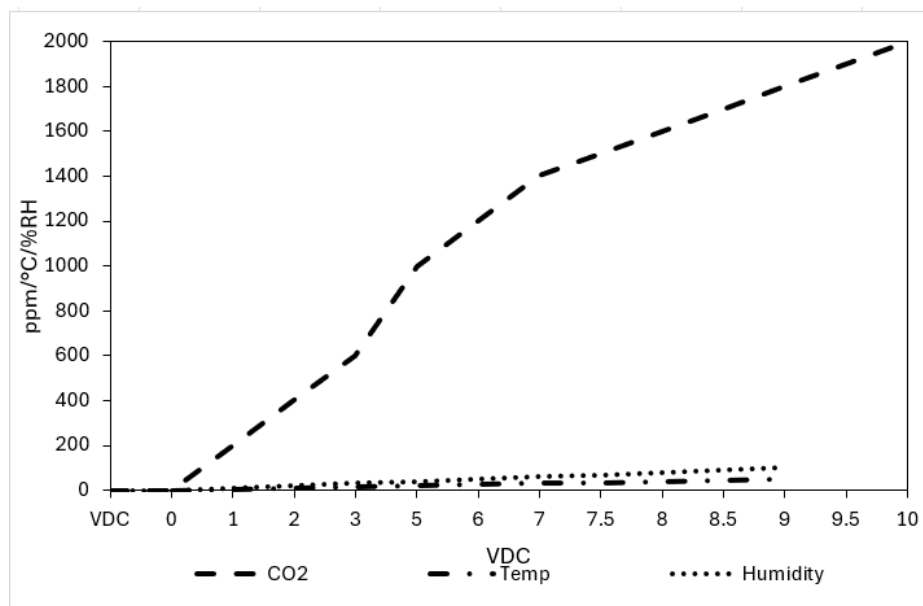
- The ventilation stops if the Fire alarm Relay contact OPENS.
- This operation can be inverted [Polarity] if the contact available from the Fire Alarm is Normally Open.

Central Heating Active

(description needed)

Proportional inputs (0-10V)

This type of control is typically used with Temperature sensors, Humidity sensors, CO2 sensors or any other Inner Air Quality sensors, with analog 0-10V outputs. If the voltage is between 0 to 0.5V no sensor will be detected.



CO2 Sensor Mode

- Two thresholds can be set (this correspond to a Voltage level between 0.5V-0PPM and 9.5V-2000PPM), below the lower threshold the ventilation unit will run in Normal preset speed.
- Between the two thresholds (proportional zone) the ventilation unit will proportionally increase the speed up to Boost preset speed.
- Above the second threshold the ventilation unit will stay in Boost speed preset.

Humidity Sensor Mode

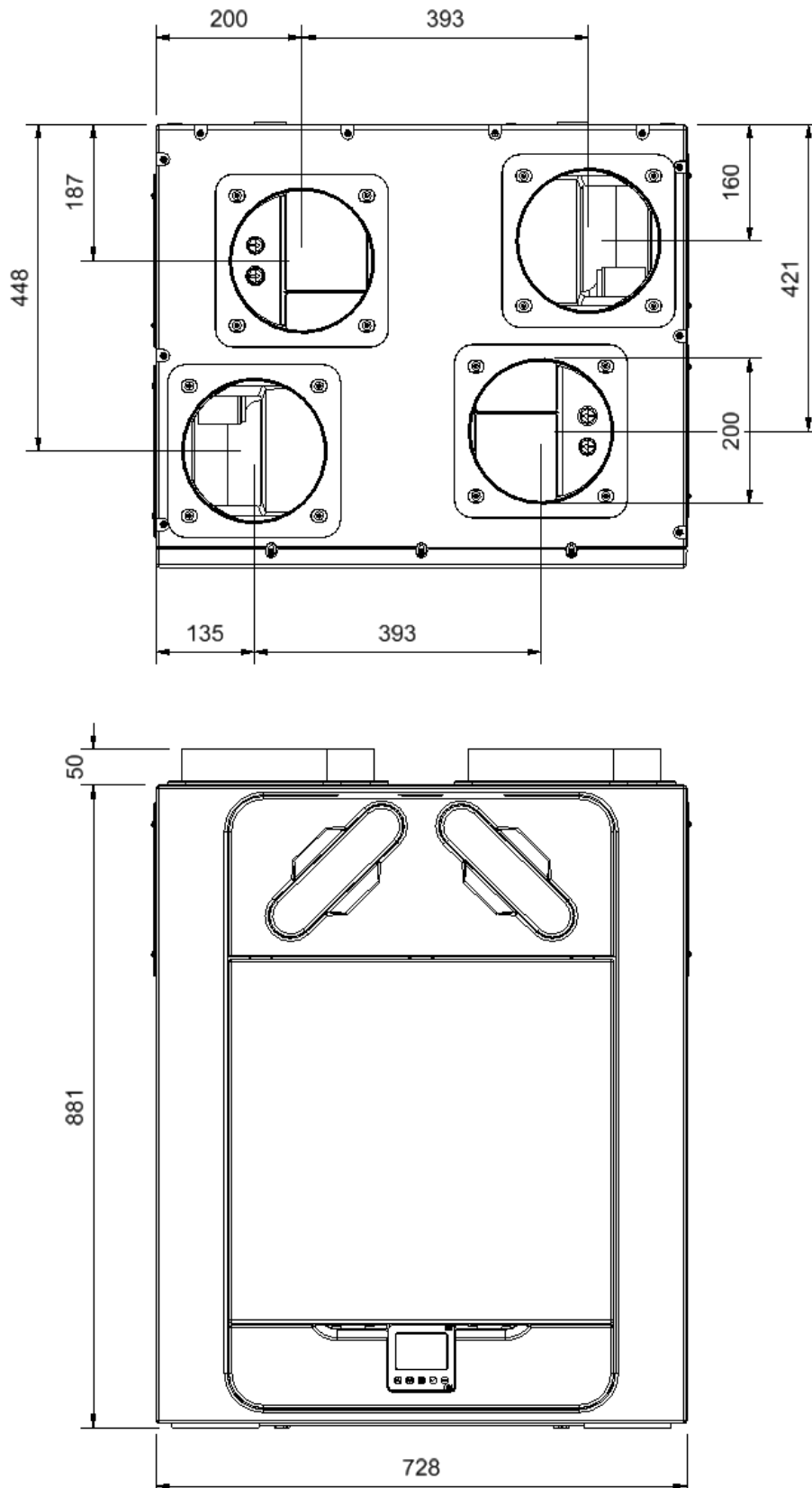
- One threshold can be set (this correspond to a Voltage level between 0.5V-0% and 9.5V-100%), below the lower threshold (10%) the ventilation unit will run in Normal preset speed.
- Above the second thresholds (proportional zone) the ventilation unit will proportionally increase the speed up to 100%.

Pure 0-10V Mode

Intended to be used with one manual override controller (such as BMS with 0-10V output).

- Pure 0-10V sensor units are presented as % (the voltage to % response curve is linear)
- Ventilation unit speed will be linear from Normal speed to 100% (this correspond to a Voltage level between 0.5V-0% and 9.5V-100%).

Product Dimensions



Remove front cover (see page 10) to view Rating label.
 (Label is positioned to the right of the controller).

Default Settings

| Parameters | Settings |
|---|--|
| Commissioning Screens | |
| Country | United Kingdom |
| Date | Automatic - Factory set |
| Unit configuration | Right Hand |
| Filter Check | 12 months |
| Summer Bypass | Normal |
| Mode Names | Normal, Boost, Low, Purge (Only in App) |
| User Mode | |
| Boost Supply/Extract | 70 % |
| Normal Supply/ Extract | 40 % |
| Low Supply/Extract | 20% |
| Purge Supply/Extract | 100% |
| m ³ /hr or l/s can be selected and will be displayed on units with flow measurement. | |
| Internal RH Mode | On |
| Internal RH Setpoint | 70% |
| Control Mode | Normal |
| Frost Protection | Airflow Mode |
| Mode schedule 1 | All days set to 0:00 (on), 00:00 (off) – inactive |
| Mode Schedule 2 | All days set to 0:00 (on). 00:00 (off) – inactive |
| Service Phone | Not Set (Settable in App) |
| Set Lock code | 0000 |
| Indoor Temp | 25 C |
| Outdoor Temp | 14 C |
| Boost Over-run | Off |
| Boost Overrun set time | 15 |
| Boost Delay | Off (Only in App) |
| Boost Delay set time | 00 (Only in App) |
| LS1/LS2 | User Mode 3 (Boost) |
| SW1/SW2/SW3/SW4/SW5 | User Mode 3 (Boost) |
| Proportional 1/2 | Humidity – Boost, Normal (60 %) CO2 – Boost (1500 ppm), Normal (1000 ppm) Temperature – Boost (27°C, Normal (17°C) |

Product Fiche

| Name: | Vent-Axia | Vent-Axia |
|--|---|---|
| Model ID (Stock Ref.): | 499632 - Sentinel Econiq M 499638 - Sentinel Econiq MC 499639 - Sentinel Econiq MCP RH 499640 - Sentinel Econiq MCP LH | 499641 - Sentinel Econiq L 499647 - Sentinel Econiq LC 499648 - Sentinel Econiq LCP RH 499649 - Sentinel Econiq LCP LH |
| SEC Class | A+ | A+ |
| SEC Value ('Average') | -44.38 | -43.31 |
| SEC Value ('Warm') | -19.01 | -18.16 |
| SEC Value ('Cold') | -89.46 | -87.99 |
| Label Required? (Yes/No=Out of scope) | Yes | Yes |
| Declared as: RVU or NRVU/UVU or BVU | RVU/BVU | RVU/BVU |
| Speed Drive | Variable Speed | Variable Speed |
| Type HRS (Recuperative, Regenerative, None) | Recuperative | Recuperative |
| Thermal Eff: [(%), NA (if none)] | 91 | 89 |
| Max. Flow Rate (m3/h) | 450 | 600 |
| Max. Power Input (W): (@Max.Flow Rate) | 206 | 338 |
| LWA: Sound Power Level (dB) | 49.0 | 56.0 |
| Ref. Flow Rate (m3/s) | 0.088 | 0.117 |
| Ref. Pressure Diff. (Pa) | 50 | 50 |
| SPI [W/(m3/h)] | 0.17 | 0.22 |
| Control Factor & Control Typology: (CTRL/ Typology) | | |
| Control Factor; CTRL | 0.65 | 0.65 |
| Control Typology | Local Demand Control | Local Demand Control |
| Declared: -Max Internal & External Leakage Rates (%) for BVUs or carry over (for regenerative heat exchangers only), -&Ext. Leakage Rates (%) for Ducted UVUs; | <5% Internal, <5% External | <5% Internal, <5% External |
| Mixing Rate of Non-Ducted BVUs not intended to be equipped with one duct connection on either supply or extract air side; | N/A | N/A |
| Position and description of visual filter warning for RVUs intended for use with filters, including text pointing out the importance of regular filter changes for performance and energy efficiency of the unit | Refer to User Instructions | Refer to User Instructions |
| For UVUs (Instructions Install Regulated Supply/Extract Grilles Façade) | N/A | N/A |
| Internet Address (for Disassembly Instructions) | www.vent-axia.com | www.vent-axia.com |
| Sensitivity p. Variation @+20/-20 Pa: (for Non-Ducted VUs) | N/A | N/A |
| Air Tightness-ID/OD-(m3/h) (for Non-Ducted VUs) | N/A | N/A |
| Annual Electricity Consumption: AEC (kWh/a) | 1.37 | 1.64 |
| Annual Electricity Consumption: AEC (kWh/a) Per. 100m ² | 137 | 164 |
| Annual Heating Saved: AHS (kWh/a) | | |
| AHS: Average | 47.14 | 46.73 |
| AHS: Warm | 21.32 | 21.13 |
| AHS: Cold | 92.22 | 91.41 |



UK DECLARATION OF CONFORMITY

Reference Number: CE00538

Issue: A 1023

Product Name(s)/Description:

Sentinel Econiq M & L Range

| Model Name(s) | Part Number(s) |
|------------------------|----------------|
| Sentinel Econiq M | 499632 |
| Sentinel Econiq MC | 499638 |
| Sentinel Econiq MCP RH | 499639 |
| Sentinel Econiq MCP LH | 499640 |
| Sentinel Econiq L | 499641 |
| Sentinel Econiq LC | 499647 |
| Sentinel Econiq LCP RH | 499648 |
| Sentinel Econiq LCP LH | 499649 |

Following the provisions of Directives & Regulations as appropriate.

| | |
|--|-------------------------------------|
| Electrical Equipment (Safety) Regulations 2016: Great Britain | <input checked="" type="checkbox"/> |
| Electrical Equipment (Safety) Regulations 2016: Northern Ireland | <input checked="" type="checkbox"/> |
| Electromagnetic Compatibility Regulations 2016 | <input checked="" type="checkbox"/> |
| RoHS Regulations 2019 | <input checked="" type="checkbox"/> |
| WEEE Waste electrical and electronic equipment Regulations 2013 | <input checked="" type="checkbox"/> |
| REACH UK Registration, Evaluation, Authorisation and restriction of Chemicals Regulation | <input checked="" type="checkbox"/> |
| Ecodesign requirements for ventilation units (EU) regulation No 1253/2014 Implementing Directive 2009/125/EC | <input checked="" type="checkbox"/> |
| Radio Equipment Regulations 2017 | <input checked="" type="checkbox"/> |

| Standards Applied - Radio | Standards Applied - Safety | Standards Applied - EMC |
|---|------------------------------|---------------------------|
| BS EN 300 328 V2.1.1 & V2.2.2 | BS EN60335-1:2012 + A11:2014 | BS EN55014-1:2006+A2:2011 |
| BS EN 300 220 V2.4.1 | BS EN60335-2-80:2003+A2:2009 | BS EN55014-2:1997+A2:2008 |
| BS EN 301 489 V1.9.2 In accordance with BS EN 301 489-17 V2.2.1 | | |



 Lee Austin, Group Technical Director (Crawley, UK)

12/10/23

.....
 Date

**EU DECLARATION OF CONFORMITY**

Reference Number: CE00538

Issue: A 1023

Product Name(s)/Description:

Sentinel Econiq M & L Range

| Model Name(s) | Part Number(s) |
|------------------------|----------------|
| Sentinel Econiq M | 499632 |
| Sentinel Econiq MC | 499638 |
| Sentinel Econiq MCP RH | 499639 |
| Sentinel Econiq MCP LH | 499640 |
| Sentinel Econiq L | 499641 |
| Sentinel Econiq LC | 499647 |
| Sentinel Econiq LCP RH | 499648 |
| Sentinel Econiq LCP LH | 499649 |

Following the provisions of Directives & Regulations as appropriate.

| | |
|--|-------------------------------------|
| Low Voltage Directive (2014/35/EU) | <input checked="" type="checkbox"/> |
| Electromagnetic Compatibility Directive (2014/30/EU) | <input checked="" type="checkbox"/> |
| RoHS use of hazardous substances Directive (2017/2102/EU) | <input checked="" type="checkbox"/> |
| WEEE Waste electrical and electronic equipment Directive (2012/19/EU) | <input checked="" type="checkbox"/> |
| REACH Registration, Evaluation, Authorisation and restriction of Chemicals Regulation (EC 1907/2006) | <input checked="" type="checkbox"/> |
| Ecodesign requirements for ventilation units (EU) regulation No 1253/2014 Implementing Directive 2009/125/EC | <input checked="" type="checkbox"/> |
| Radio Equipment Directive (RED) (2014/53/EU) | <input checked="" type="checkbox"/> |

| Standards Applied - Radio | Standards Applied - Safety | Standards Applied - EMC |
|--|----------------------------|-------------------------|
| EN 300 328 V2.1.1 & V2.2.2 | EN60335-1:2012 + A11:2014 | EN55014-1:2006+A2:2011 |
| EN 300 220 V2.4.1 | EN60335-2-80:2003+A2:2009 | EN55014-2:1997+A2:2008 |
| EN 301 489 V1.9.2 In accordance with EN 301 489-17 V2.2.1 | | |



Lee Austin, Group Technical Director (Crawley, UK)

12/10/23
Date

EU Authorised Representative: Vent-Axia Sigarenmaker 5 - 5521DJ Eersel Nederland authorisedrep@vent-axia.nl

Disposal



This product should not be disposed of with household waste. Please recycle where facilities exist. Check with your local authority for recycling advice.

The **Vent-Axia** Guarantee

Applicable only to products installed and used in the United Kingdom. For details of guarantee outside the United Kingdom contact your local supplier.

Vent-Axia guarantees its products for two years from date of purchase against faulty material or workmanship. In the event of any part being found to be defective, the product will be repaired, or at the Company's option replaced, without charge, provided that the product: -

- Has been installed and used in accordance with the instructions given with each unit.
- Has not been connected to an unsuitable electricity supply. (The correct electricity supply voltage is shown on the product rating label attached to the unit).
- Has not been subjected to misuse, neglect or damage.
- Has not been modified or repaired by any person not authorised by the company.

IF CLAIMING UNDER TERMS OF GUARANTEE

Please return the complete product, carriage paid to your original supplier or nearest Vent-Axia Centre, by post or personal visit. Please ensure that it is adequately packed and accompanied by a letter clearly marked "Guarantee Claim" stating the nature of the fault and providing evidence of date and source of purchase.

The guarantee is offered to you as an extra benefit and does not affect your legal rights.

Vent-Axia.

UK Head Office:

Vent-Axia, Fleming Way, Crawley, West Sussex, RH10 9YX

EU Authorised Representative: Vent-Axia Sigarenmaker 5 - 5521DJ Eersel Nederland authorisedrep@vent-axia.nl

CALL CENTRE: -

| | | |
|---------------------------|-------------------|---|
| Sales Enquiries: | Tel: 0344 8560590 | Email: sales@vent-axia.com |
| Technical Support: | Tel: 0344 8560594 | Email: tech@vent-axia.com |