

Xpelair Simply Silent Shower Fan SSSFC100

Installation and Maintenance Instructions



- Do read the entire instruction leaflet before commencing installation.
- Do install each fan with a means for disconnection in all poles in the fixed wiring.
- Do make sure the mains supply is switched off before attempting to make electrical connections or carry out any maintenance or cleaning.

Please leave this leaflet with the fan for the benefit of the user.

Components:

1. Simply Silent Shower Fan
2. 3m flexible 4" / 100mm ducting
3. External fixed louvre grille with 2 x invisible screw covers
4. 5 x wall plugs
5. 5 x screws
6. 1 x self-adhesive foam strip for duct connection (if required)

UK customers:

If you have any queries before or after installing this product call the Xpelair Technical Hotline +44 (0) 344 879 3588 or e-mail customer.services@glendimplex.com. Our engineers are there to help you during normal office hours.

Customers outside the UK should contact your local Xpelair distributor.



This appliance is intended for connection to fixed wiring.

Check that the electrical rating shown on each fan matches the mains supply.

THE APPLIANCE IS DOUBLE INSULATED AND DOES NOT REQUIRE AN EARTH CONNECTION.

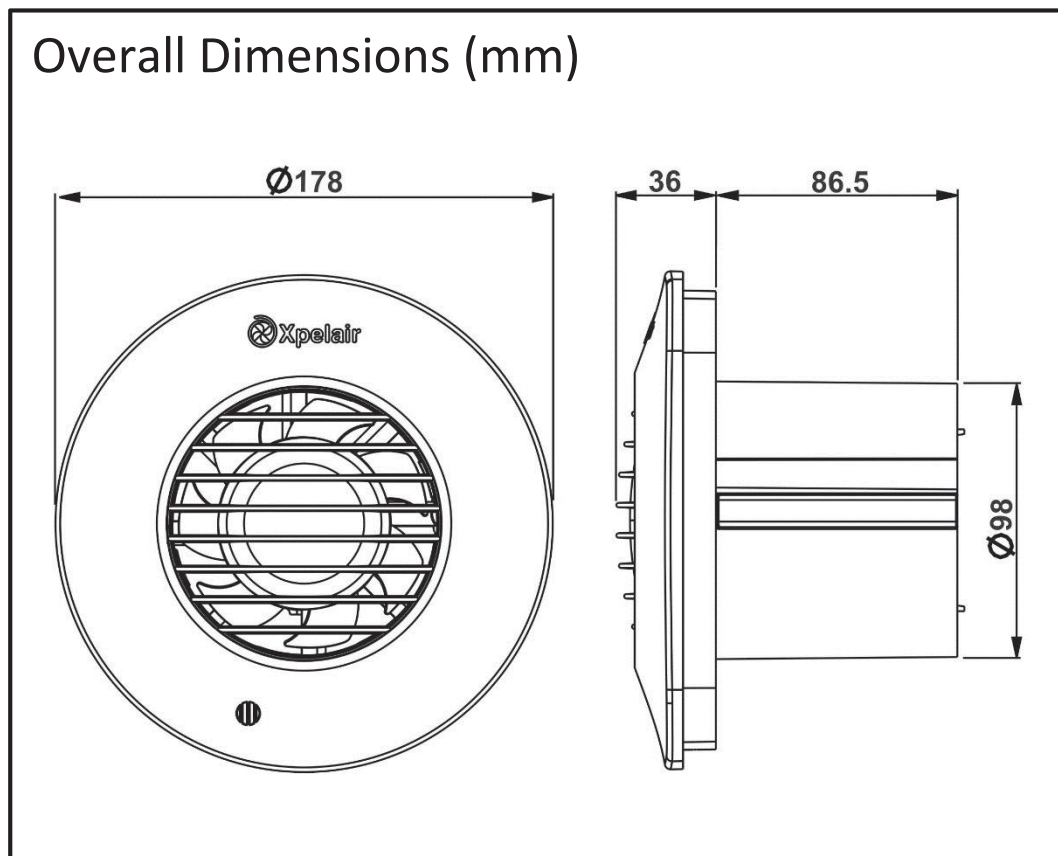
All installations must be supervised by a qualified electrician. Installations and wiring must conform to current IEE Regulations (UK), local or appropriate regulations (other countries).

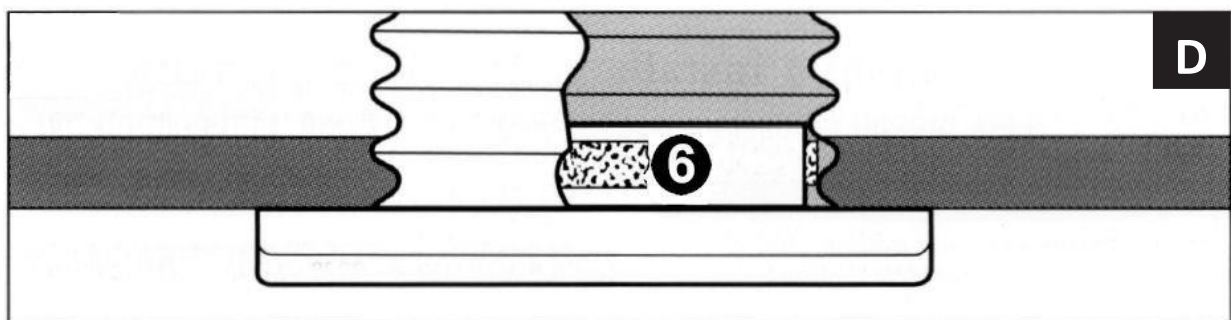
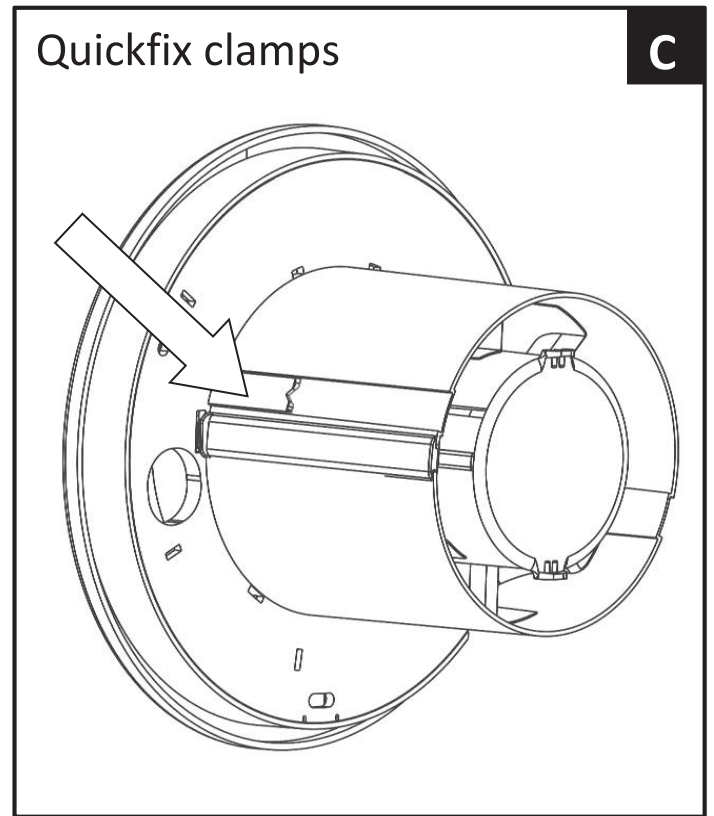
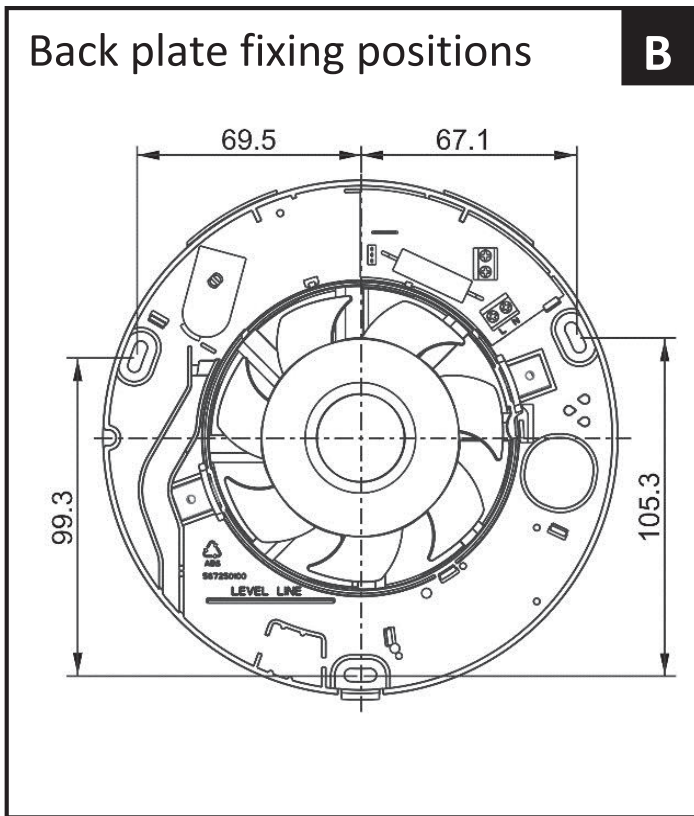
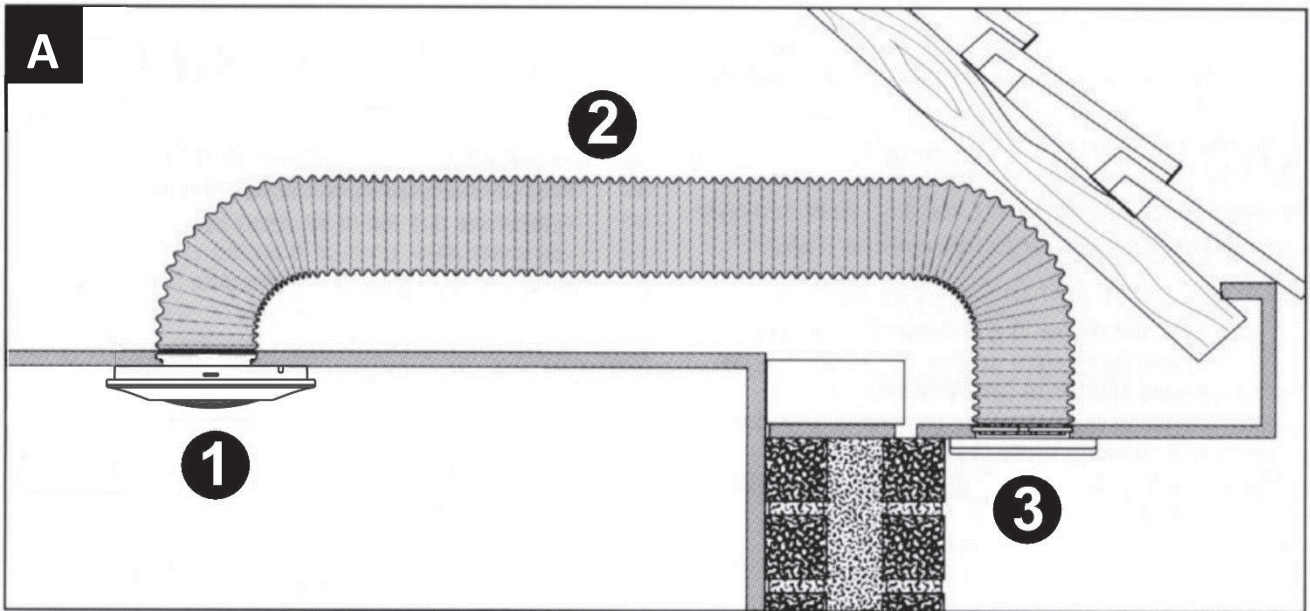
This appliance can be used by children aged from 8 years and above and persons with reduced physical, sensory capabilities or lack of experience and knowledge if they have been given supervision or instruction concerning the use of the appliance in a safe way and understand the hazards involved. Children shall not play with the appliance. Cleaning and maintenance of the appliance shall not be made by children.



The Xpelair Simply Silent Shower Fan SSSFC100 is an in-line axial fan designed to extract damp air from your room to the outside through the loft / ceiling space. The fan has the following features:

- Two speed extraction (Selectable at installation)
- Built-in timer that operates the fan for a pre-set delay from 30 seconds to 30 minutes (factory set at 15 minutes)





Front Cover Removal

E

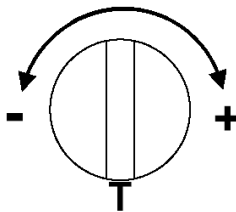


Depress Cover Latch with tool &
remove Cover

F

Adjusting the run on timer setting

Fan runs on for a
shorter time when
the external switch
is turned off



Fan runs on for a
longer time when
the external switch
is turned off

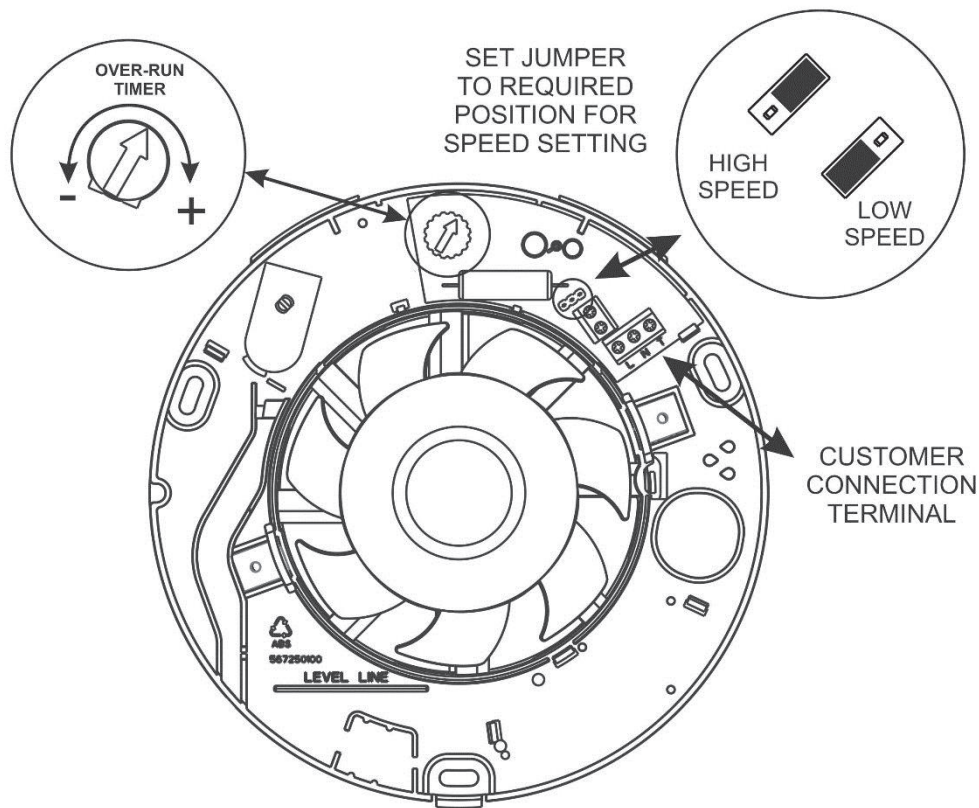
Minimum 30 seconds

Maximum 30 minutes



Factory setting: Timer 15 minutes

Wiring and setting up



Where to locate the fan.

- Locate the fan where there is access from the ceiling for the ducting through the roof space and out through the soffit see Fig. A for general installation arrangement.
- At least 110mm from the edges of the mounting surface to the centre of the hole.
- Fan to be located between joists.
- Create easiest route for ducting with fewest bends and shortest length.
- As far away as possible from and opposite to the main source of air replacement to ensure airflow across the room (e.g. opposite the internal doorway).
- Near the source of steam or odours.



- **Not where ambient temperatures are likely to exceed 50°C.**
- **If installed in a kitchen fans must not be mounted immediately above a cooker hob, or eye level grill.**
- **If installing in a room containing a fuel burning device which has a non-balanced flue, it is the installer's responsibility to ensure that there is enough replacement air to prevent fumes being drawn down the flue when the fan is operating up to maximum extract. Refer to Building Regulations for specific requirements.**

Exhaust air must not be discharged into a flue used for exhausting of fumes from appliances supplied with energy other than electric. Requirements of all authorities concerned must be observed for exhaust air discharge and intake flow rates.

- **Not suitable for use in possible chemical corrosive atmospheres.**



What the installer will need.

- 3mm electrician's screwdriver and No.1 or 2 Pozidrive screwdrivers.

Installation

For ceiling mounting the fan, you will also need:

- A 100mm diameter prepared hole.
- A 100mm diameter prepared hole for the external grille, ideally positioned to allow condensation to run away from the first bend in the duct towards the external grille.
- Some suitable insulation for the duct, if the duct passes through a cold space, or use insulated duct ref: 89847AA.

Installing the isolating switch and cables.



A means for disconnection in all poles must be incorporated in the fixed wiring in accordance with wiring regulations

- **If metal switch boxes are used, earthing regulations must be followed.**
- The cross-sectional area of the supply cord used should be ranged from 1-1.5mm².
- 3 core cable is required.

1. **Check that the electrical rating shown inside the back-plate matches your mains supply.**
2. **Check there are no buried pipes or cables e.g. electricity, gas, water behind the switch location (in the wall or above the ceiling). If in doubt, seek professional advice.**
3. **Isolate the mains supply.**
4. Lay in the cable from the isolating switch to the fan location via the on/off switch (if required).
5. Lay in the cable from the isolating switch to the point of connection to the mains supply.



Warning: Do not make any connections to the electrical supply at this stage.

6. Install the isolating switch and on/off switch (if required).
7. Make all connections within the isolating switch and the on/off switch (if required).



Wet Rooms: On/Off switch must be situated so that it cannot be touched by persons making use of the bath or shower.

For Australia Only

This model is permanently connected to the supply and operation is controlled by a remote switch. It should be directly wired to the supply through an approved 10A wall mounted surface switch with at least 3mm clearance between contacts.

Preparing the Fan for installation.

1. Remove the front cover by depressing the latch on the underside of the cover and pulling off the front cover from the bottom (See Figure E).



If working above ground floor level, safety precautions must be observed.

The fan may be fixed in the ceiling using the quick-fix clamping brackets. Tighten the screws until the fan is firmly secured – see figure C.

Alternately the fan back-plate can be fixed directly in the ceiling using the screws and wall plugs supplied as described below.

Mark the position of the back-plate (Fig. B)

2. Hold the back-plate so that the level line marked on it is orientated squarely.
3. Carefully insert the fan duct into the prepared hole in the ceiling.
4. Mark the positions of the fixing holes in the back-plate.
5. Remove the back plate.
6. Drill screw holes in these positions if necessary, and fit wall plugs and screws as required.

Mount the back-plate.

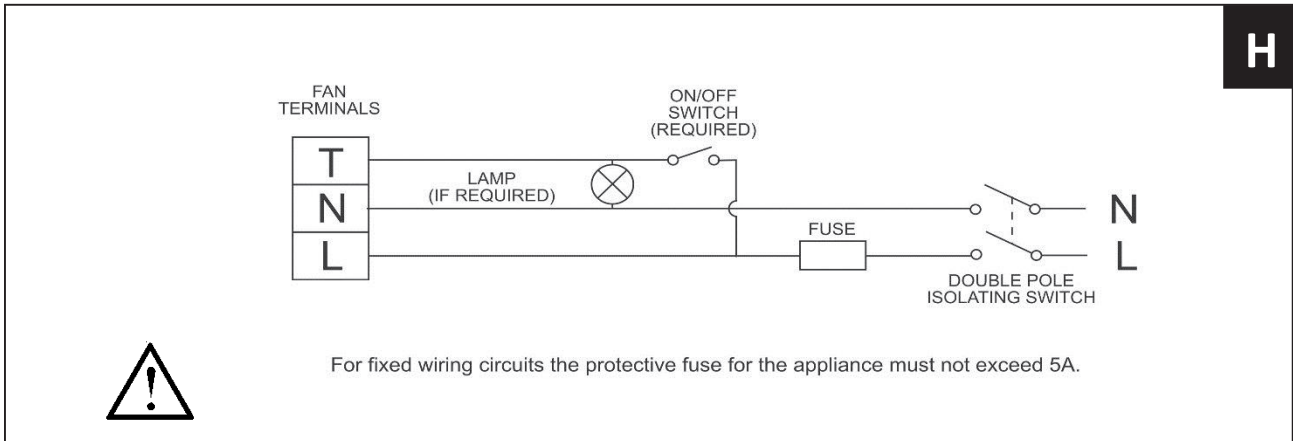
7. Feed the mains cable through the cable entry hole in the back plate to the terminals.
8. Insert the fan duct into the ceiling hole as before.
9. Fasten the back-plate to the ceiling using appropriate fasteners supplied. See figure B.
10. If using screws, do not over tighten.

Mount the external grille in the soffit

11. Align the grille centrally and squarely over the 100mm hole in the soffit and mark the positions of the two screw holes. Drill the two holes and insert suitable fixings.
12. Attach the external grille to the outer end of the flexible duct. Use the self-adhesive foam strip to seal the duct to the grille. Secure ducting to grille (see Fig. D).
13. From the outside feed the ducting through the hole until the grille is flush with the soffit. Secure the grille to the soffit using the screws and fit the screw covers.
14. Pull the flexible ducting gently to the fan duct and cut it to length. Keep the ducting as straight as possible as this will prevent loss in performance of fan. Secure over fan duct.

Wire the electrical connections.

15. Make sure the mains supply is isolated. Switch off the mains electrical supply and remove fuses.
16. Feed the cable to the terminal block. Wire the fan as shown in Figure H.
17. Connect the cable from the isolating switch to the electrical supply wiring.



SPEED SETTING

The fan is factory set to low speed, but has two speed settings for different applications. Select either high or low speed by connecting the jumper between the centre and high or low speed pin on the jumper (see Figure G).

- To adjust the over-run period turn the control (T) clockwise to increase and anti-clockwise to decrease – see Figure F.

Using the fan.

- Operate the fan using an on/off switch (not supplied). Note – the fan may take up to 10 seconds to turn on once the switch has been operated. When the switch is turned off, the fan continues to operate for the set time delay. To adjust the over-run period, turn the control “T” clockwise to increase and anti-clockwise to decrease – see Figure G.

18. Re-fit the front cover by hooking in the top first, and then swing the cover down to clip into place.

Cleaning.



1. Before cleaning, isolate the fan completely from the mains supply.
2. The fan should be periodically wiped clean in position with a damp, lint free cloth and mild detergent.
3. Do not immerse the fan in water or other liquids to clean any other parts of the fan.
4. Do not use strong detergents, solvents or chemical cleaners
5. Allow fan to dry thoroughly before use.
6. Apart from cleaning, no other maintenance is required.



Disposal

This product should not be disposed of with household waste.
Please recycle where facilities exist.
Check with your local authority for recycling advice.

Warranty.

UK only:

Xpelair products deliver reliable service for normal, household use in domestic settings. All Xpelair products are individually tested before leaving the factory.

If you are a consumer and you experience a problem with your Xpelair product, which is found to be defective due to faulty materials and workmanship within the warranty period, This Xpelair warranty will cover repair or at the discretion of Xpelair replacement with a functionally equivalent Xpelair Product.

The Xpelair warranty period is Two calendar years from the date of purchase of your Xpelair product, or the date of delivery of the product, if later. The Xpelair warranty is conditional upon you providing the original purchase receipt proof of purchase. Please therefore retain your receipt as proof of purchase.

If you do experience a problem with your Xpelair product please call the helpline on **+44 (0)344 879 3588** or at the address below. We will need details of your Xpelair product, and a description of the fault which has occurred. Once we receive your information and proof of purchase we will contact you to make the necessary arrangements.

Customers outside UK - See International below.

If your Xpelair product is not covered by this Xpelair warranty there may be a charge to repair your product. However, we will contact you for an agreement to any charges before any chargeable service is carried out.

What is not covered by an Xpelair warranty?

The Xpelair warranty does not cover any of the following:

Any fault or damage to your Xpelair product due to faulty materials or workmanship occurring outside the Two year warranty Period.

Any fault or damage occurring to any pre-owned Xpelair product or to any other equipment or property.

Accidental damage to your Xpelair product or damage to your Xpelair product from external sources (for example, transit, weather, electrical outages or power surges).

Fault or damage to your Xpelair product which is:

Not due to faulty materials or workmanship or which is due to circumstances outside Xpelairs control.

Caused by use of your Xpelair product for anything other than normal domestic household purposes in the country where it was purchased.

Caused by any misuse, abuse or neglect use of the Xpelair product, including but not limited to any failure to use it in accordance with the Operating Instructions supplied with the product.

Caused by any failure to assemble, install, clean and maintain your Xpelair product in accordance with th Operating Instructions supplied with the product unless this was carried out by Xpelair or its authorised dealers.

Caused by repairs or alterations to your Xpelair product not carried out by Xpelair service personnel or its authorised dealer(s).

Caused by use of any consumables or spare parts for your Xpelair product which are not Xpelair specified.

Terms and Conditions

The Xpelair warranty is valid for Xpelair from the date of purchase of your Xpelair product from a recognised retailer in the country of purchase and use, or the date of delivery of the product if later, always provided the original receipt has been retained and is produced as proof of purchase.

You must provide to Xpelair or its authorised agents on request the original receipt as proof of purchase and - if required by Xpelair - proof of delivery. If you are unable to provide this documentation, you will be required to pay for any repair work required.

Any repair work under the Xpelair warranty will be carried out by Xpelair or its authorised dealer(s) and any parts that are replaced will become the property of Xpelair. Any repairs performed under the Xpelair warranty will not extend the warranty period.

Any replacement of your Xpelair product by Xpelair during the warranty period will start the Two year warranty period afresh from the date of delivery of the replacement Xpelair product to you.

The Xpelair warranty does not entitle you to recover of any indirect or consequential loss or damage including but not limited to loss or damage to any other property.

The Xpelair warranty is in addition to your statutory rights as a consumer and your statutory rights are not affected by this Xpelair warranty.

Contact Xpelair

If you have any questions about what the Xpelair warranty covers and does not cover or how to claim under Xpelair warranty, please contact us using the information below.

Contact details

Glen Dimplex UK Ltd,
Millbrook House, Grange Drive, Hedge End, Southampton, SO30 2DF
Telephone: +44 (0) 344 879 3588
Email: customer.services@glendimplex.com
Web: www.xpelair.co.uk

Glen Dimplex Europe Limited,
Airport Road, Cloghran, Co. Dublin, K67 VE08.
Telephone: +353 (0)1 8523400
Email: serviceireland@glendimplex.com

International

Warranty: Contact your local distributor or Xpelair direct for details.

Technical advice and service: Contact your local Xpelair distributor.

Xpelair: A brand of Glen Dimplex Heating and Ventilation

© Glen Dimplex. All rights reserved. Material contained in this publication may not be reproduced in whole or in part, without prior permission in writing of Glen Dimplex



For electrical products sold within the European Community. At the end of the electrical products useful life it should not be disposed of with household waste. Please recycle where facilities exist. Check with a Local Authority or retailer for recycling advice in your country. Batteries should be disposed of or recycled in accordance with WEEE Directive 2012/EU. Packaging should be recycled where possible.



Part No: 25691AA
(Revision C)