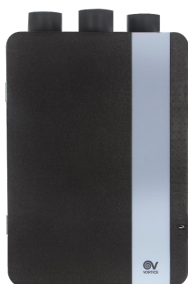


# Technical Data Sheet

CODE 11933

## VORT HR 250 NETI UK



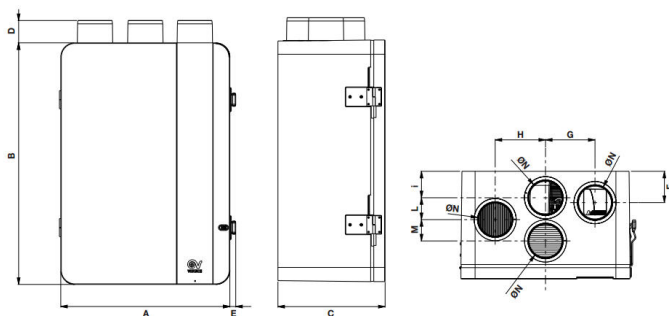
## Certifications

bre SAP Q

## TECHNICAL AND PERFORMANCE DATA

Filter class	F5	Breakout sound power LWA [dB(A)]	60.9
Frequency (Hz)	50	Breakout sound pressure at 3m at Max speed Lp [dB (A)]	40.4
Insulation class	I°	Max airflow (l/s)	60
IP	X2	Max airflow (m <sup>3</sup> /h)	220
Max absorbed current (A)	0,75	Max pressure (mmH2O)	55
Max absorbed power (W)	95	Max pressure (Pa)	540
Max ambient temperature for continuous operation (°C)	25	Max thermal efficiency (%)	90,5
Max temperature of exhaust air (continuous operation)	40	Sound power at exhaust inlet LWA [dB(A)]	46.2
Min continuous operation room temperature (°C)	5	Sound power at supply outlet LWA [dB(A)]	45.2
Voltage (V)	230	Sound pressure at 3m at Max speed at extraction side Lp [dB (A)]	25.7
Weight (Kg)	19	Sound pressure at 3m at Max speed at supply side Lp [dB (A)]	24.7

## DIMENSIONS



Size A (mm)	598
Size B (mm)	850
Size C (mm)	380
Size D (mm)	80
Size E (mm)	21
Size F (mm)	110
Size G (mm)	175
Size H (mm)	178
Size I (mm)	93
Size L (mm)	77
Size M (mm)	75
Size N (mm)	Ø 125

## PER INFORMAZIONI / FOR INFORMATION

### ITALY

Pre Sales:

prevendita@vortice-italy.com

After Sales:

postvendita@vortice-italy.com

### UNITED KINGDOM & REP. OF

IRELAND

Sales Dept:

sales@vortice.ltd.uk

Technical Dept:

technical@vortice.ltd.uk

### OTHER COUNTRIES

Sales Dept:

export@vortice-italy.com

After Sales:

after-sales@vortice-italy.com

# Technical Data Sheet

CODE 11933

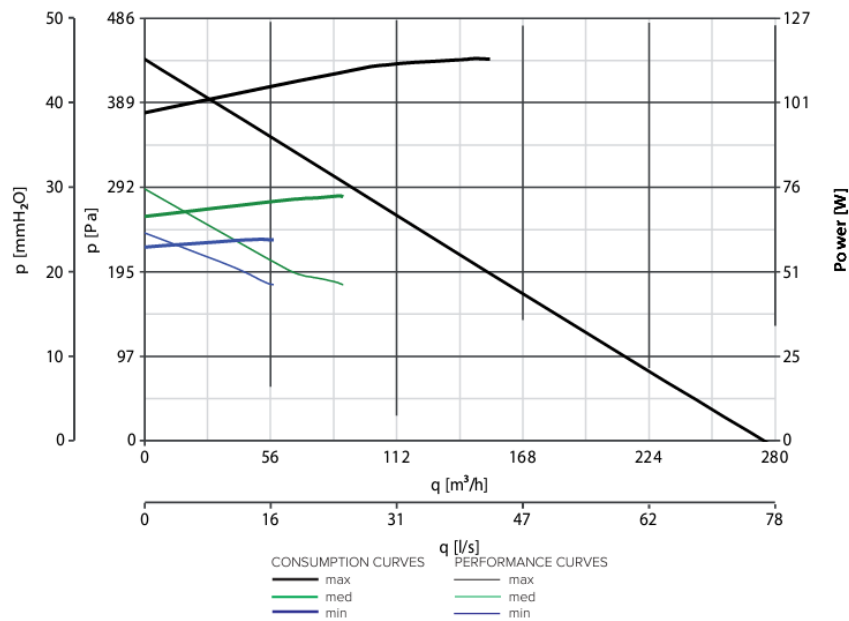
## VORT HR 250 NETI UK



### DESCRIPTION

- Plastic (PPE) enclosure
- Duct connection ports of nominal diameter 125 mm.
- 2 EC (brushless) motors with shaft turning in ball bearings, each coupled to a backward curved centrifugal impeller; 3 speeds, selectable independently at the moment of installation.
- Maximum air flow 220 m<sup>3</sup>/h.
- Very high-efficiency counter-flow heat exchanger in PS resin.
- Automatic, filtered 100% by-pass
- Integrated frost protection.
- 1 M5 filter on supply air, 1 G4 filter on extract air.
- Electronic control with wired LCD display.
- Brackets for wall-mounted installation.

### CURVES



### ACCESSORIES



### C PIR

Code 12998

### PER INFORMAZIONI / FOR INFORMATION

#### ITALY

Pre Sales:  
prevendita@vortice-italy.com  
After Sales:  
postvendita@vortice-italy.com

#### UNITED KINGDOM & REP. OF

#### IRELAND

Sales Dept:  
sales@vortice.ltd.uk  
Technical Dept:  
technical@vortice.ltd.uk

#### OTHER COUNTRIES

Sales Dept:  
export@vortice-italy.com  
After Sales:  
after-sales@vortice-italy.com